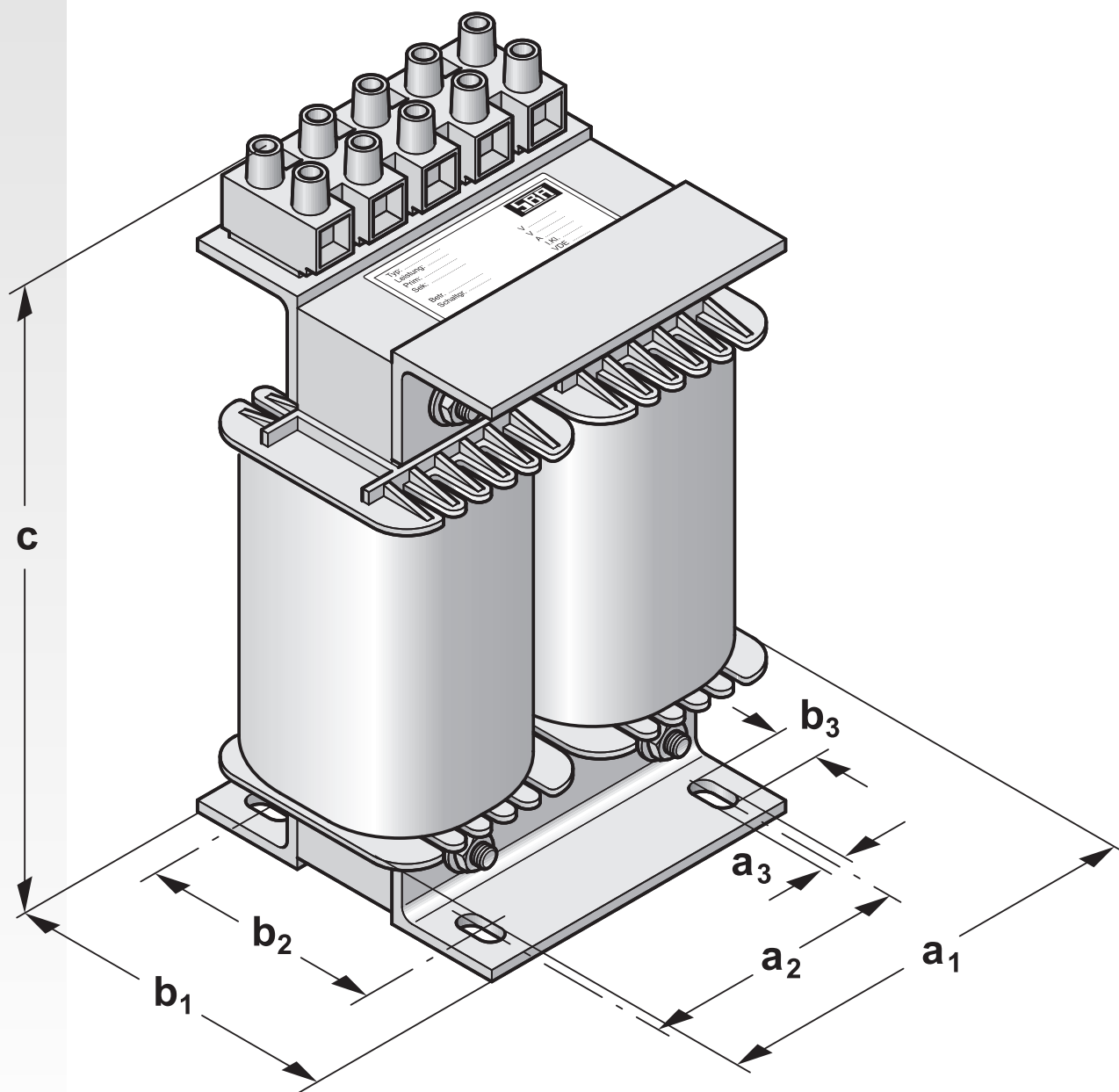


Type UTX

Single-phase power transformers to VDE 0570-2-1 / EN 61558-2-1

Application

To supply electrical consumers of all kinds, e.g. measuring and control instruments, power electronic modules, mechanical engineering etc. Customized specification and dimensions ensure optimal application.



TYP A WTX

SINGLE-PHASE POWER TRANSFORMERS



Construction

- ➔ Open construction (IP 00, incorporation up to max. IP 23)
- ➔ Separated windings
- ➔ Resting on angular feet (DIN 41307)
- ➔ Connections to screw terminals
- ➔ High-grade, tropicalized vacuum impregnation in black polyester impregnating resin
- ➔ Wear-resistant, heat, UV and solvent resistant nameplate
- ➔ **Special versions** available on request

Specifications

Output range	12 VA - 630 VA
Input voltage	max. 400 V
Output voltage	max. 400 V
Output current	max. 36 A
Frequency	50-60 Hz
Vector group	li0
Protection class	I
Protection index	IP 00
Insulation class	B
Ambient temperature	max. 40° C

Overview

Size	Rated output	Voltage rise in no-load	Total weight	Copper weight	a ₁	b ₁	a ₂	Dimensions			
	VA (DB)	appr. %	appr. kg	appr. kg				b ₂	a ₃	b ₃	c
103	12	42.0	0.6	0.12	52	38	43	27	3.2	5.2	105
104	20	30.0	0.8	0.14	52	45	43	34	3.2	5.2	105
105	32	28.0	1.0	0.23	64	47	55	34	4.3	6.3	115
106	50	20.0	1.2	0.30	64	56	55	43	4.3	6.3	115
107	80	17.0	1.4	0.50	80	54	73	40	4.3	6.8	140
108	125	13.5	1.8	0.62	80	64	73	50	4.3	6.8	140
109	200	11.5	2.8	1.00	100	67	81	51	5.3	8.0	175
110	300	7.5	3.6	1.25	100	82	81	65	5.3	8.0	175
111	400	8.0	4.5	1.60	120	76	76	57	7.0	13.0	200
112	630	6.0	6.8	2.30	120	96	76	77	7.0	13.0	200

The values in the table above are for the thermal steady state at 40° C ambient temperature.

SBA-TrafoTech GmbH
Winkelleite 14
91332 Heiligenstadt, Germany
Telephone +49 (0)9198/8 09-19
Facsimile +49 (0)9198/8 09-30
sales@sba.de

SBA-Trafobau Jena GmbH
Ilmstraße 18
07743 Jena, Germany
Telephone +49 (0)3641/4514-0
Facsimile +49 (0)3641/4514-30
info@sba.de

Internet: www.sba.de