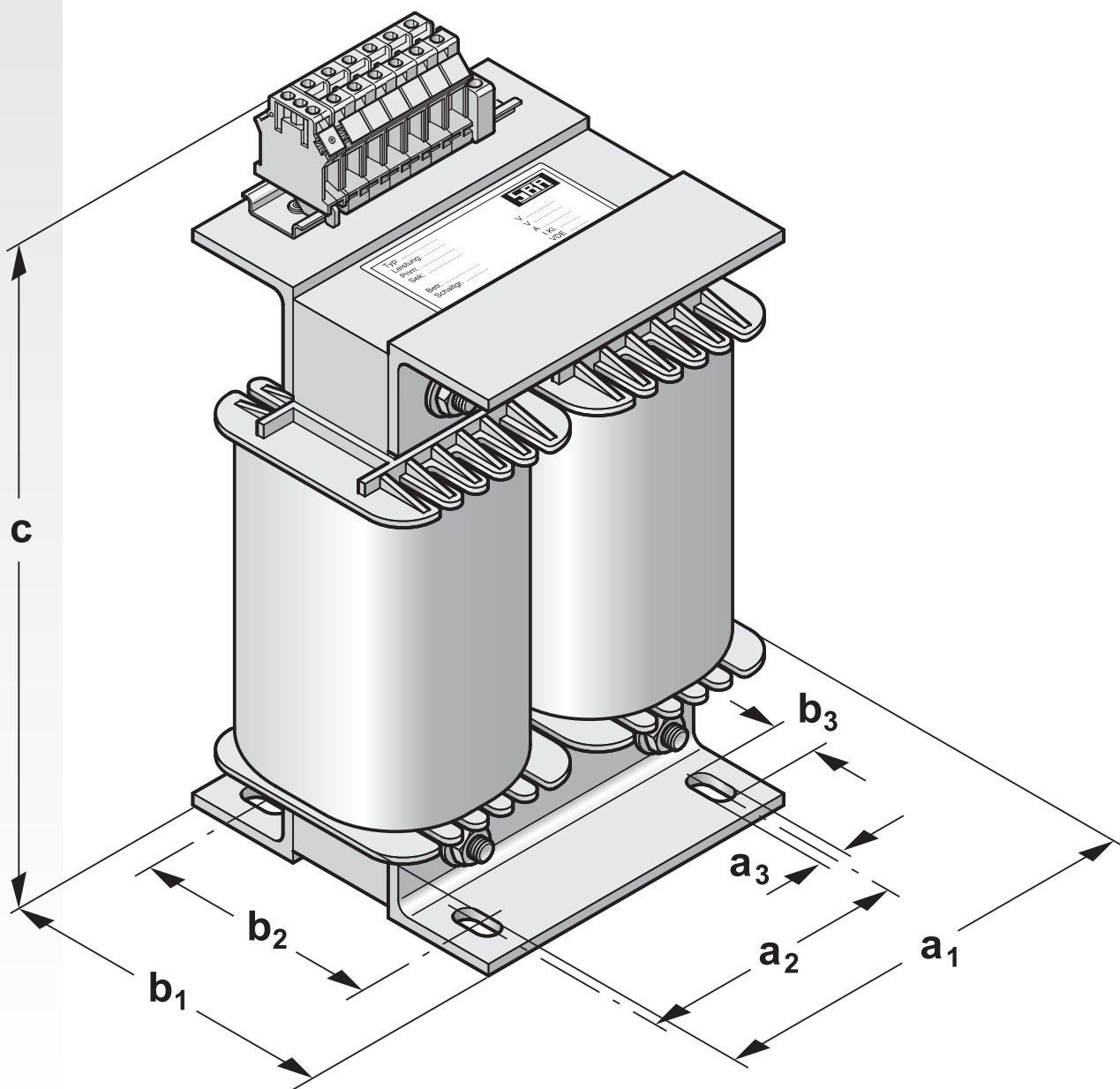


Type UTS

Single-phase power transformers to VDE 0570-2-1 / EN 61558-2-1

Application

To supply electrical consumers of all kinds, e.g. measuring and control instruments, power electronic modules, etc.. Customized specification and dimensions ensure optimal application.



TYP A UTS

SINGLE-PHASE POWER TRANSFORMERS



Construction

- ➔ Open construction (IP 00, incorporation up to max. IP 23)
- ➔ Separated windings
- ➔ Resting on angular feet (DIN 41307)
- ➔ Connections to safe-to-touch screw terminals in accordance with VBG 4 with self-releasing clamp (higher current ratings to studs or flat termination with bolt)
- ➔ High-grade, tropicalized vacuum impregnation in black polyester impregnating resin
- ➔ Wear-resistant, heat, UV and solvent resistant nameplate
- ➔ **Special versions** available on request

Specifications

Output range	1 kVA - 25 kVA
Input voltage	max. 750 V
Output voltage	max. 750 V
Output current at	
-Screw terminals	max. 135 A
-Studs	max. 450 A
-Flat termination	max. 2000 A
Frequency	50-60 Hz
Vector group	li0
Protection class	I
Protection index	IP 00
Insulation class	B/F
Ambient temperature	max. 40°C

Overview

Size	Rated output	Voltage rise in no-load	Total weight	Copper weight	a ₁	b ₁	a ₂	Dimensions			
	kVA (DB)	appr. %	appr. kg	appr. kg				b ₂	a ₃	b ₃	c
											approx. mm
115	1.0	5.3	11.0	3.6	150	90	100	71	7	13	255
116	1.25	4.7	14.5	4.3	150	114	100	95	7	13	255
121	1.6	4.9	16.0	5.5	172	106	112	76	10	18	290
122	2.0	3.6	22.0	6.6	172	132	112	102	10	18	290
123	2.5	3.7	24.0	8.7	196	122	124	94	10	18	325
124	3.2	2.9	30.0	10.0	196	147	124	119	10	18	325
127	4.0	3.0	39.0	15.0	235	153	144	125	10	18	360
127	5.0	3.5	38.0	14.0	235	153	144	125	10	18	360
128	6.3	3.2	45.0	16.0	235	168	144	140	10	18	360
129	8.0	2.5	51.0	17.0	235	183	144	155	10	18	360
130*	10.0	2.2	61.0	24.0	275	173	176	143	12	18	435
131*	12.5	2.1	77.0	27.0	275	203	176	173	12	18	435
133*	16.0	2.0	88.0	36.0	313	193	196	157	13	20	490
134*	20.0	1.7	107.0	39.0	313	220	196	184	13	20	490
135*	25.0	1.3	128.0	43.0	313	250	196	214	13	20	490

The values in the table above are for the thermal steady state at 40°C ambient temperature.

* With 2 eyebolts

SBA-TrafoTech GmbH
Winkelleite 14
91332 Heiligenstadt, Germany
Telephone +49 (0)9198/8 09-19
Facsimile +49 (0)9198/8 09-30
sales@sba.de

SBA-Trafobau Jena GmbH
Ilmstraße 18
07743 Jena, Germany
Telephone +49 (0)3641/4514-0
Facsimile +49 (0)3641/4514-30
info@sba.de

Internet: www.sba.de