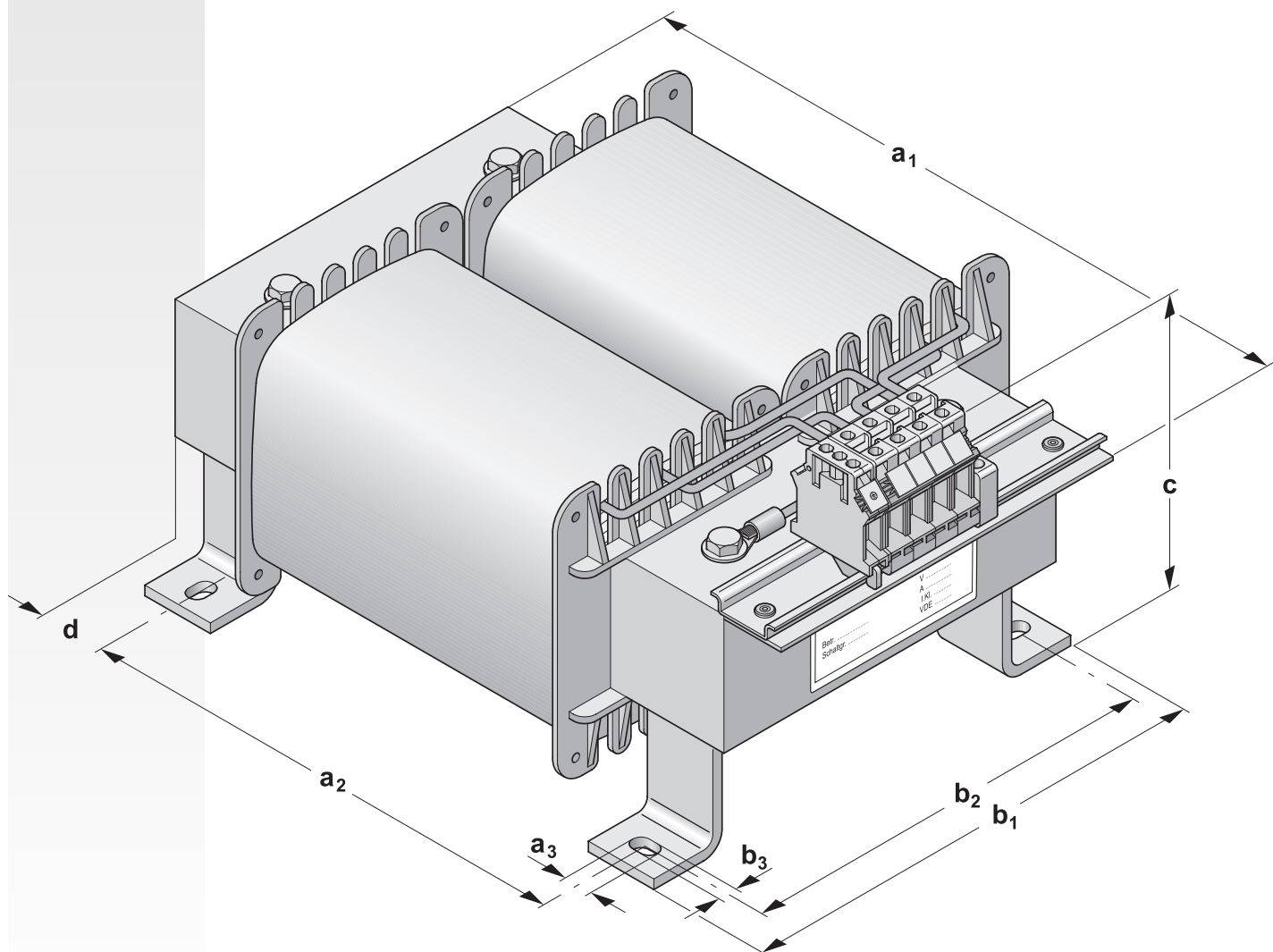


Type UTL

Single-phase power transformers to VDE 0570-2-1 / EN 61558-2-1

Application

To supply electrical consumers of all kinds, e.g. measuring and control instruments, power electronic modules, mechanical engineering etc.. Customized specification and dimensions ensure optimal application.



TYP E U T I SINGLE-PHASE POWER TRANSFORMERS



Construction

- ➔ Open construction (IP 00, incorporation up to max. IP 23)
- ➔ Separated windings
- ➔ Resting on angular brackets (DIN 41307)
- ➔ Connections to safe-to-touch screw terminals in accordance with VBG 4 with self-releasing clamp (higher current ratings to studs or flat termination with bolt)
- ➔ High-grade, tropicalized vacuum impregnation in black polyester impregnating resin
- ➔ Wear-resistant, heat, UV and solvent resistant nameplate
- ➔ **Special versions** available on request

Specifications

Output range	1 kVA - 25 kVA
Input voltage	max. 750 V
Output voltage	max. 750 V
Output current at	
- Screw terminals	max. 135 A
- Studs	max. 450 A
- Flat termination	max. 2000 A
Frequency	50-60 Hz
Vector group	li0
Protection class	I
Protection index	IP 00
Insulation class	B/F
Ambient temperature	max. 40°C

Overview

Size	Rated output	Voltage rise in no-load	Total weight	Copper weight	a ₁	b ₁	a ₂	Dimensions				
	kVA (DB)	appr. %	appr. kg	appr. kg				b ₂	a ₃	b ₃	c	d
115	1.0	5.3	11.0	3.6	230	150	152	126	9	6	124	19
116	1.25	4.7	14.5	4.3	230	150	152	126	9	6	148	19
121	1.6	4.9	16.0	5.5	260	172	176	146	14	9	141	22
122	2.0	3.6	22.0	6.6	260	172	176	146	14	9	167	22
123	2.5	3.7	24.0	8.7	283	196	200	174	14	9	150	25
124	3.2	2.9	30.0	10.0	283	196	200	174	14	9	175	25
127	4.0	3.0	39.0	15.0	331	236	240	204	14	9	186	30
127	5.0	3.5	38.0	14.0	331	236	240	204	14	9	186	30
128	6.3	3.2	45.0	16.0	331	236	240	204	14	9	201	30
129	8.0	2.5	51.0	17.0	331	236	240	204	14	9	216	30
130*	10.0	2.2	61.0	24.0	383	276	280	234	14	9	205	35
131*	12.5	2.1	77.0	27.0	383	276	280	234	14	9	235	35
133*	16.0	2.0	88.0	35.0	433	314	320	264	20	13	229	40
134*	20.0	1.7	107.0	39.0	433	314	320	264	20	13	256	40
135*	25.0	1.3	128.0	43.0	433	314	320	264	20	13	286	40

The values in the table above are for the thermal steady state at 40°C ambient temperature.

* With 2 eyebolts

SBA-TrafoTech GmbH
Winkelleite 14
91332 Heiligenstadt, Germany
Telephone +49 (0)9198/8 09-19
Facsimile +49 (0)9198/8 09-30
sales@sba.de

SBA-Trafobau Jena GmbH
Ilmstraße 18
07743 Jena, Germany
Telephone +49 (0)3641/4514-0
Facsimile +49 (0)3641/4514-30
info@sba.de

Internet: www.sba.de