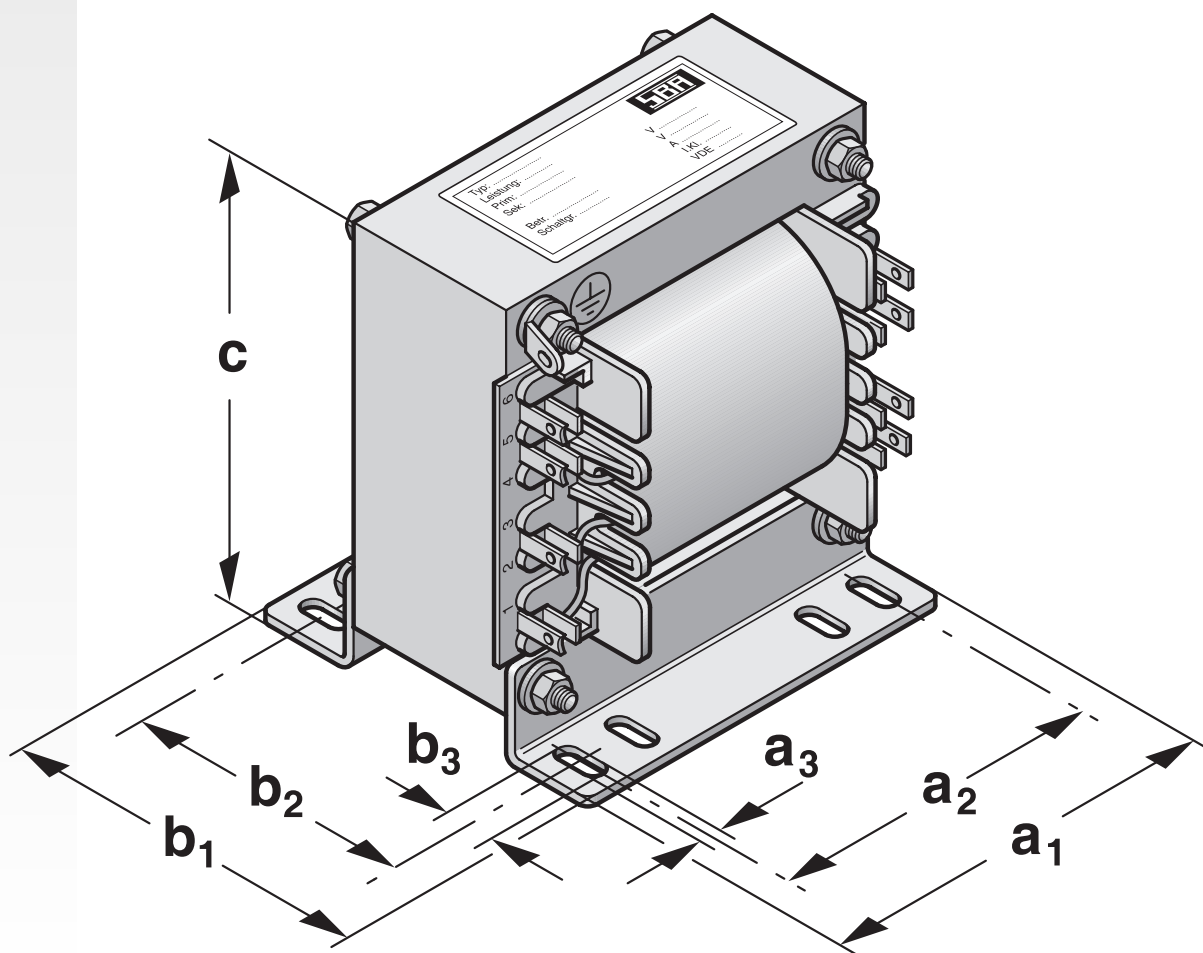


Type MTX

Single-phase power transformers to VDE 0570-2-1 / EN 61558-2-1

Application

To supply electrical consumers of all kinds, e.g. measuring and control instruments, power electronic modules, etc.. Customized specification and dimensions ensure optimal application.



TYP A MTX SINGLE-PHASE POWER TRANSFORMERS



Construction

- ➔ Open construction (IP 00, incorporation up to max. IP 23)
- ➔ Separated windings
- ➔ Resting on angular feet (DIN 41307)
- ➔ Connection to solder or screw type terminals
- ➔ High-grade, tropicalized vacuum impregnation in black polyester impregnating resin
- ➔ Wear-resistant, heat, UV and solvent resistant nameplate
- ➔ **Special versions** available on request

Specifications

| | |
|---------------------|---------------|
| Output range | 5 VA - 250 VA |
| Input voltage | max. 400 V |
| Output voltage | max. 400 V |
| Output current | max. 36 A |
| Frequency | 50-60 Hz |
| Vector group | li0 |
| Protection class | I |
| Protection index | IP 00 |
| Insulation class | B |
| Ambient temperature | max. 40° C |

Overview

| Size | Rated output | Voltage rise in no-load | Total weight | Copper weight | a ₁ | b ₁ | a ₂ | Dimensions | | | |
|------------|--------------|-------------------------|--------------|---------------|----------------|----------------|----------------|----------------|----------------|----------------|-----|
| | VA (DB) | appr. % | appr. kg | appr. kg | | | | b ₂ | a ₃ | b ₃ | c |
| approx. mm | | | | | | | | | | | |
| 013 | 5 | 37.0 | 0.2 | 0.06 | 42 | 46 | 20 | 32 | M 3 | M3 | 47 |
| 014 | 20 | 27.0 | 0.7 | 0.14 | 55 | 48 | 43 | 37 | 3 | 5 | 60 |
| 015 | 50 | 22.0 | 1.0 | 0.26 | 65 | 51 | 55 | 38 | 4 | 6 | 70 |
| 016 | 80 | 15.0 | 1.4 | 0.44 | 74 | 64 | 60 | 51 | 4 | 6 | 80 |
| 017 | 100 | 13.0 | 1.9 | 0.48 | 85 | 64 | 72 | 51 | 4 | 6 | 90 |
| 018 | 150 | 9.5 | 2.4 | 0.52 | 85 | 77 | 72 | 64 | 4 | 6 | 90 |
| 019 | 200 | 7.5 | 3.3 | 0.80 | 104 | 77 | 80 | 61 | 6 | 8 | 110 |
| 020 | 250 | 7.0 | 3.9 | 0.95 | 104 | 94 | 80 | 78 | 6 | 8 | 110 |

The values in the table above are for the thermal steady state at 40°C ambient temperature.

SBA-TrafoTech GmbH

Winkelleite 14
91332 Heiligenstadt, Germany
Telephone +49 (0)9198/8 09-19
Facsimile +49 (0)9198/8 09-30
sales@sba.de

SBA-Trafobau Jena GmbH

Ilmstraße 18
07743 Jena, Germany
Telephone +49 (0)3641/4514-0
Facsimile +49 (0)3641/4514-30
info@sba.de

Internet: www.sba.de