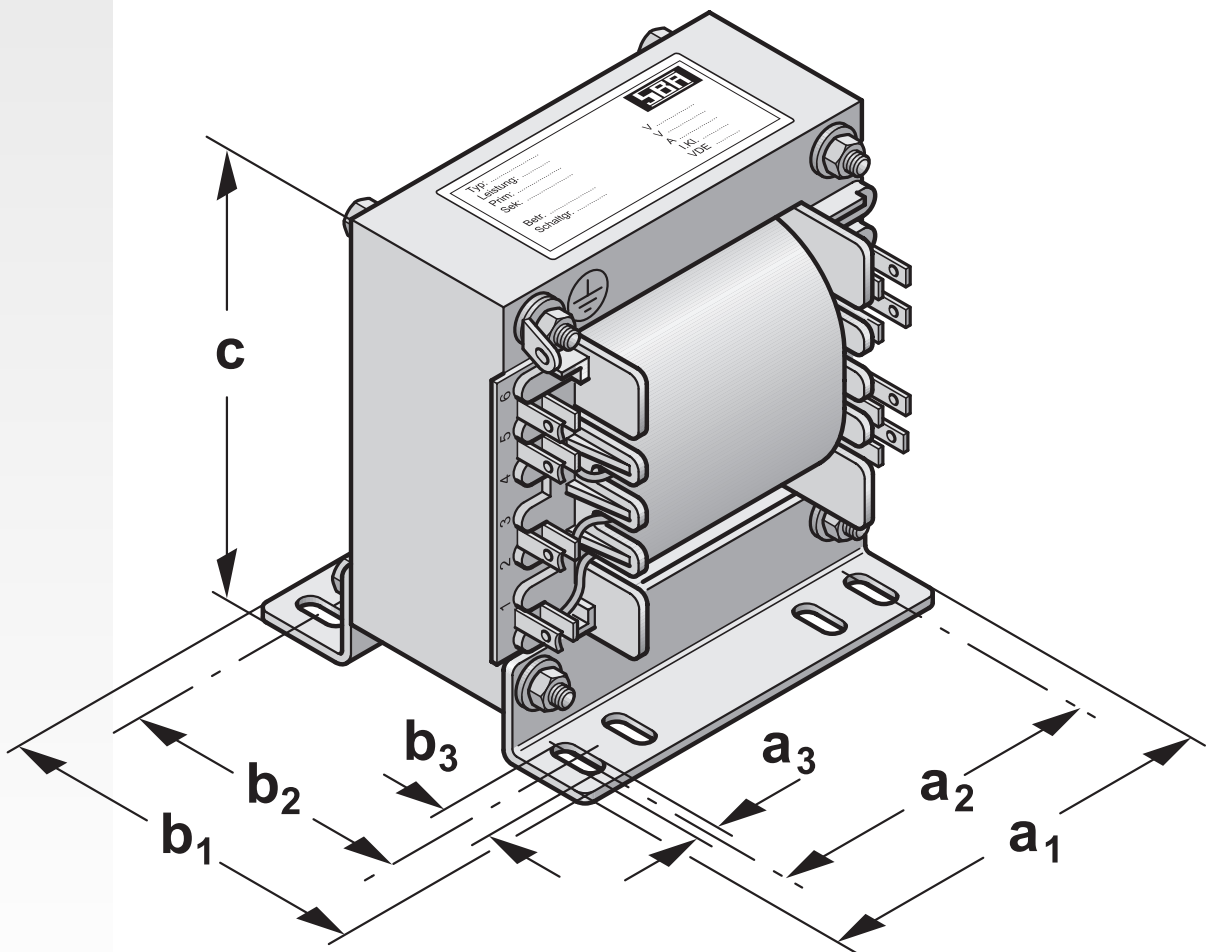


Type ETX

Single-phase power transformers to VDE 0570-2-1 / EN 61558-2-1

Application

To supply electrical consumers of all kinds, e.g. measuring and control instruments, power electronic modules, mechanical engineering etc.. Customized specification and dimensions ensure optimal application.



TYP E TX

SINGLE-PHASE POWER TRANSFORMERS



Construction

- ➔ Open construction (IP 00, incorporation up to max. IP 23)
- ➔ Separated windings
- ➔ Resting on angular feet (DIN 41307)
- ➔ Connection to safe-to-touch solder or screw type terminals
- ➔ High-grade, tropicalized vacuum impregnation in black polyester impregnating resin
- ➔ Wear-resistant, heat, UV and solvent resistant nameplate
- ➔ **Special versions** available on request

Specifications

Output range	4 VA - 50 VA
Input voltage	max. 400 V
Output voltage	max. 400 V
Output current	max. 36 A
Frequency	50-60 Hz
Vector group	li0
Protection class	I
Protection index	IP 00
Insulation class	B
Ambient temperature	max. 40°C

Overview

Size	Rated output	Voltage rise in no-load	Total weight	Copper weight	a ₁	b ₁	a ₂	Dimensions			
	VA (DB)	appr. %	appr. kg	appr. kg				b ₂	a ₃	b ₃	c
034	4	117	0.12	0.036	35	41	28	30	M 3	M 3	46
035	8	66	0.25	0.055	40	47	32	32	M 3	M 3	52
036	14	47	0.35	0.080	45	45	38	34	3.6	7	57
037	20	33	0.50	0.120	50	47	44	36	3.6	7	65
038	32	28	0.65	0.160	55	49	44	38	3.6	7	70
039	50	17	0.90	0.180	55	61	44	50	3.6	7	70

The values in the table above are for the thermal steady state at 40°C ambient temperature.

SBA-TrafoTech GmbH

Winkelleite 14
91332 Heiligenstadt, Germany
Telephone +49 (0)9198/8 09-19
Facsimile +49 (0)9198/8 09-30
sales@sba.de

SBA-Trafobau Jena GmbH

Ilmstraße 18
07743 Jena, Germany
Telephone +49 (0)3641/4514-0
Facsimile +49 (0)3641/4514-30
info@sba.de

Internet: www.sba.de