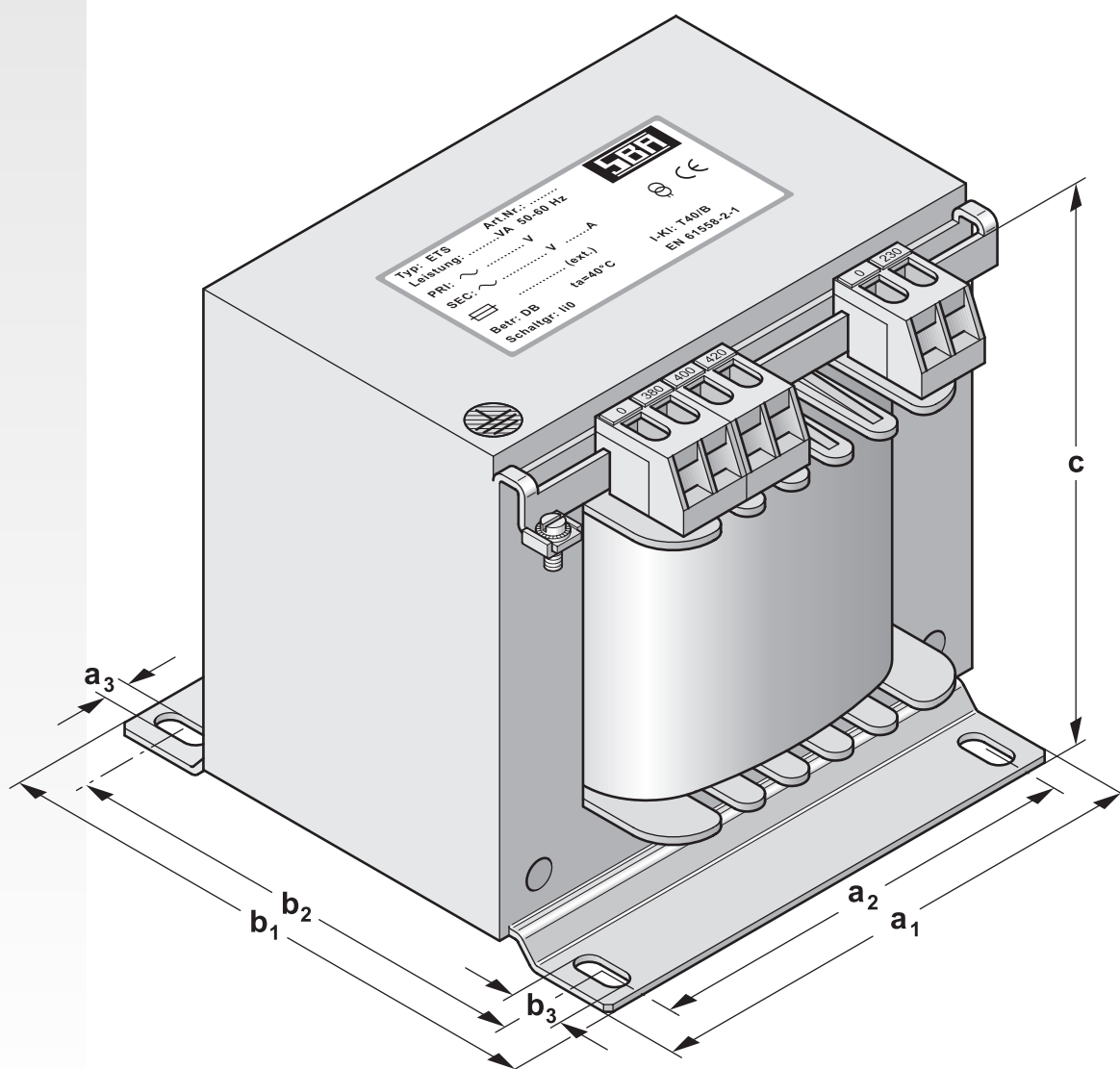


## Type ETS

Single-phase power transformers to VDE 0570-2-1 / EN 61558-2-1

### Application

To supply electrical consumers of all kinds, e.g. measuring and control instruments, power electronic modules, etc.. Customized specification and dimensions ensure optimal application.



# TYPETS

## SINGLE-PHASE POWER TRANSFORMERS



### Construction

- ➔ Open construction (IP 00, incorporation up to max. IP 23)
- ➔ Separated windings
- ➔ Required space according to DIN 41308
- ➔ Connections to safe-to-touch screw clamping terminals in accordance with VBG 4 with self-releasing clamp (additional clamp type terminal on request)
- ➔ High-grade, tropicalized vacuum impregnation in black polyester impregnating resin
- ➔ Wear-resistant, heat, UV and solvent resistant nameplate
- ➔ **Special versions** available on request

### Specifications

Output range	63 VA - 2500 VA
Input voltage	max. 750 V
Output voltage	max. 750 V
Output current	max. 65 A
Frequency	50-60 Hz
Vector group	li0
Protection class	I
Protection index	IP 00
Insulation class	B
Ambient temperature	max. 40°C

### Overview

Size	Rated output	Voltage rise in no-load	Total weight	Copper weight	a <sub>1</sub>	b <sub>1</sub>	a <sub>2</sub>	Dimensions			
	VA (DB)	appr. %	appr. kg	appr. kg				b <sub>2</sub>	a <sub>3</sub>	b <sub>3</sub>	c
approx. mm											
040	63	15.0	1.2	0.25	78	61	56	49	4.8	8	80
041	80	13.0	1.5	0.28	78	71	56	58	4.8	8	80
042	100	12.0	1.6	0.35	84	64	64	50	4.8	8	86
043	125	9.2	2.0	0.40	84	77	64	64	4.8	8	86
071	160	8.9	2.3	0.52	96	81	84	64	5.8	9	96
072	200	7.8	2.8	0.65	96	89	84	73	5.8	9	96
073	250	6.8	3.6	0.72	96	103	84	87	5.8	9	96
074	320	6.0	4.2	1.05	120	93	90	74	5.8	12	111
075	400	5.4	5.2	1.15	120	101	90	85	5.8	12	111
076	500	4.8	6.6	1.40	120	121	90	104	5.8	12	111
077	630	4.5	7.7	2.00	150	113	122	90	7.0	15	132
078	800	3.7	9.9	2.35	150	130	122	106	7.0	15	132
079	1000	3.4	13.1	2.50	150	155	122	133	7.0	15	132
080	1250	3.3	13.7	3.80	174	127	135	102	7.0	15	148
081	1600	3.1	17.2	4.20	174	147	135	122	7.0	15	148
082	2000	2.8	20.5	4.50	174	167	135	142	7.0	15	148
083	2500	2.5	26.0	5.50	192	190	155	154	11.0	18	170

The values in the table above are for the thermal steady state at 40°C ambient temperature.