

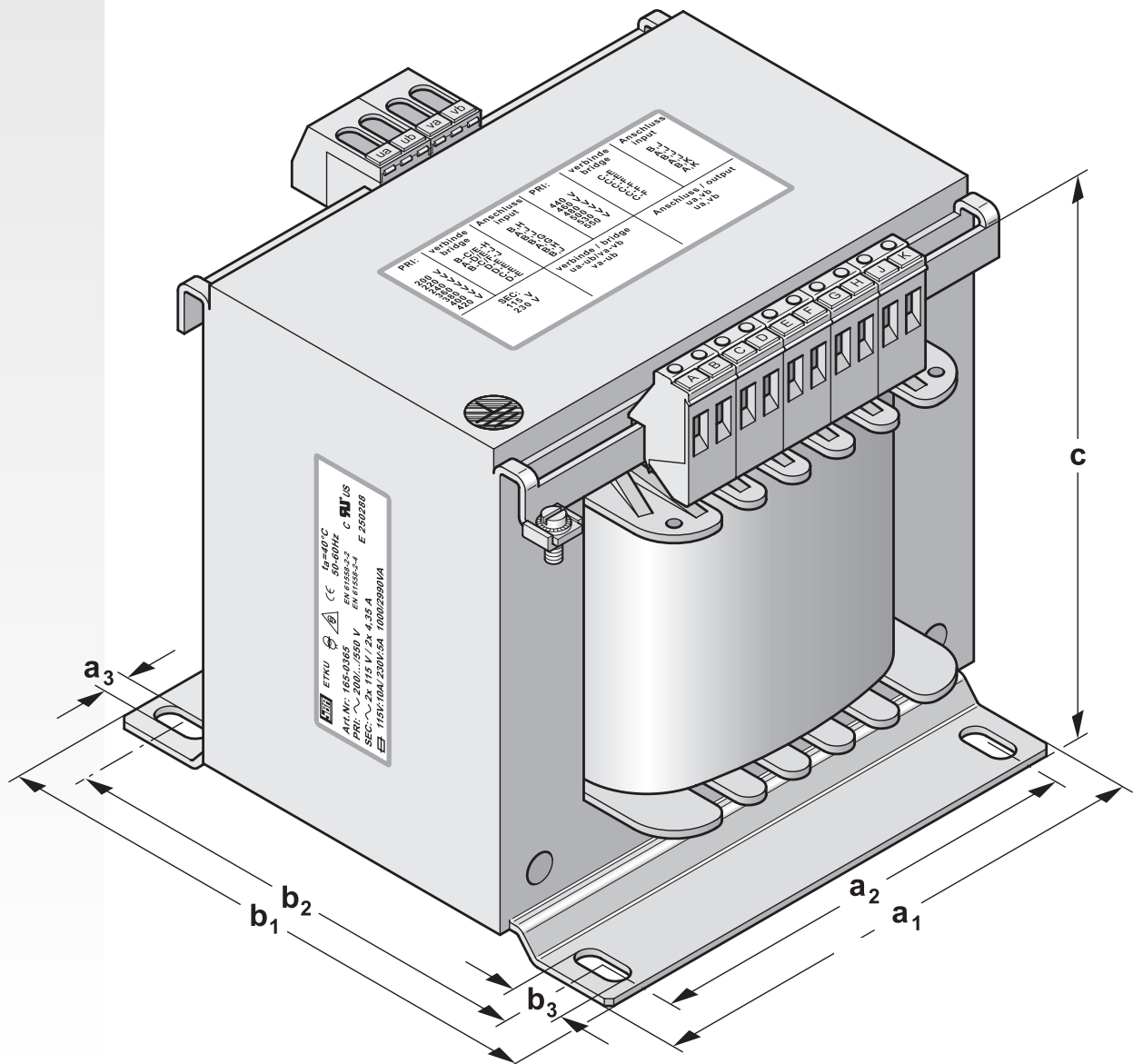
## Type ETKU

**Universal control transformers to VDE 0570-2-2 / EN 61558-2-2**  
**Single-phase isolating transformers to VDE 0570-2-4 / EN 61558-2-4 / UL 506**

### Application

Isolating transformers for general application, e.g., as associated transformers for devices to VDE 0700, 0750, 0805. Transformers supplying control circuits in switchgear systems, distribution boards, machines, etc. to VDE 0113. Adapts to 13 different line-side supply voltages

- Built to UL insulation class B, therefore no output reduction in relation to VDE specifications necessary.
- Suitable for UL labeled industrial control panels according to UL guideline UL 508A.



Copyright © 2002-2005 SBA



available ex stock

Recommended fuses  
see ex-stock range

Terminal connection diagram  
see ex-stock range

# UNIVERSAL CONTROL TRANSFORMERS



## Construction

- ➔ Open construction (IP 00, incorporation up to max. IP 23)
- ➔ Separated windings by **double/extra strong** insulation (safe separation)
- ➔ With more severe requirements on test voltages and creepage distance and clearance in air because these transformers are often exposed to overvoltage
- ➔ Input-side matching taps
- ➔ Connections to safe-to-touch screw terminals in accordance with VBG 4 with self-releasing clamp (additional clamp type terminal on request)
- ➔ High-grade, tropicalized vacuum impregnation in black polyester impregnating resin
- ➔ Wear-resistant, heat, UV and solvent resistant nameplate
- ➔ **Special versions** available on request

## Specifications

Output range	160 VA - 5600 VA
Input voltage	200/220/240/360/380/ 400/420/440/460/480/ 500/530/550 V
Output voltage	2 x 115 V for optional series or parallel connection
Frequency	50-60 Hz
Vector group	Ilii0
Protection class	I
Protection index	IP 00
Insulation class	B
Ambient temperature	max. 40° C

## Overview

Art. no.	Rated output cos φ = 1 VA (DB)	Short-time rating cos φ = 0,5 VA	Total weight appr. kg	Copper weight appr. kg	a <sub>1</sub>	b <sub>1</sub>	a <sub>2</sub>	Dimensions b <sub>2</sub> approx. mm	a <sub>3</sub>	b <sub>3</sub>	c
155-0245	160	354	2.3	0.52	96	81	84	64	5.8	9	105
156-0255	200	475	2.8	0.65	96	89	84	73	5.8	9	105
157-0300	250	625	3.6	0.72	96	103	84	87	5.8	9	105
160-0220	320	742	4.2	1.05	120	93	90	74	5.8	12	111
161-0240	400	1035	5.2	1.15	120	101	90	85	5.8	12	111
162-0365	500	1380	6.6	1.40	120	121	90	104	5.8	12	111
163-0260	630	1530	7.7	2.00	150	113	122	90	7	15	132
164-0220	800	2055	9.9	2.35	150	130	122	106	7	15	132
165-0365	1000	2990	13.1	2.50	150	155	122	133	7	15	132
166-0080	1250	2530	13.7	3.80	174	127	135	102	7	15	148
167-0140	1600	3300	17.2	4.20	174	147	135	122	7	15	148
168-0125	2000	4600	20.5	4.50	174	167	135	142	7	15	148
169-0060	2500	6500	26.0	5.50	192	190	155	154	11	18	170
169-0065	3000	6750	26.0	5.50	192	190	155	154	11	18	170
189-0105*	3400	11000	29.0	9.30	283	196	200	174	14	9	170
190-0075*	4800	11200	39.0	15.0	331	236	240	204	14	9	186
190-0080*	5600	13200	38.0	14.0	331	236	240	204	14	9	186

The values in the table above are for the thermal steady state at 40°C ambient temperature.

\* Different design due to UI cores

**SBA-TrafoTech GmbH**  
Winkelleite 14  
91332 Heiligenstadt, Germany  
Telephone +49 (0)9198/8 09-19  
Facsimile +49 (0)9198/8 09-30  
[sales@sba.de](mailto:sales@sba.de)

**SBA-Trafobau Jena GmbH**  
Ilmstraße 18  
07743 Jena, Germany  
Telephone +49 (0)3641/4514-0  
Facsimile +49 (0)3641/4514-30  
[info@sba.de](mailto:info@sba.de)

**Internet: [www.sba.de](http://www.sba.de)**