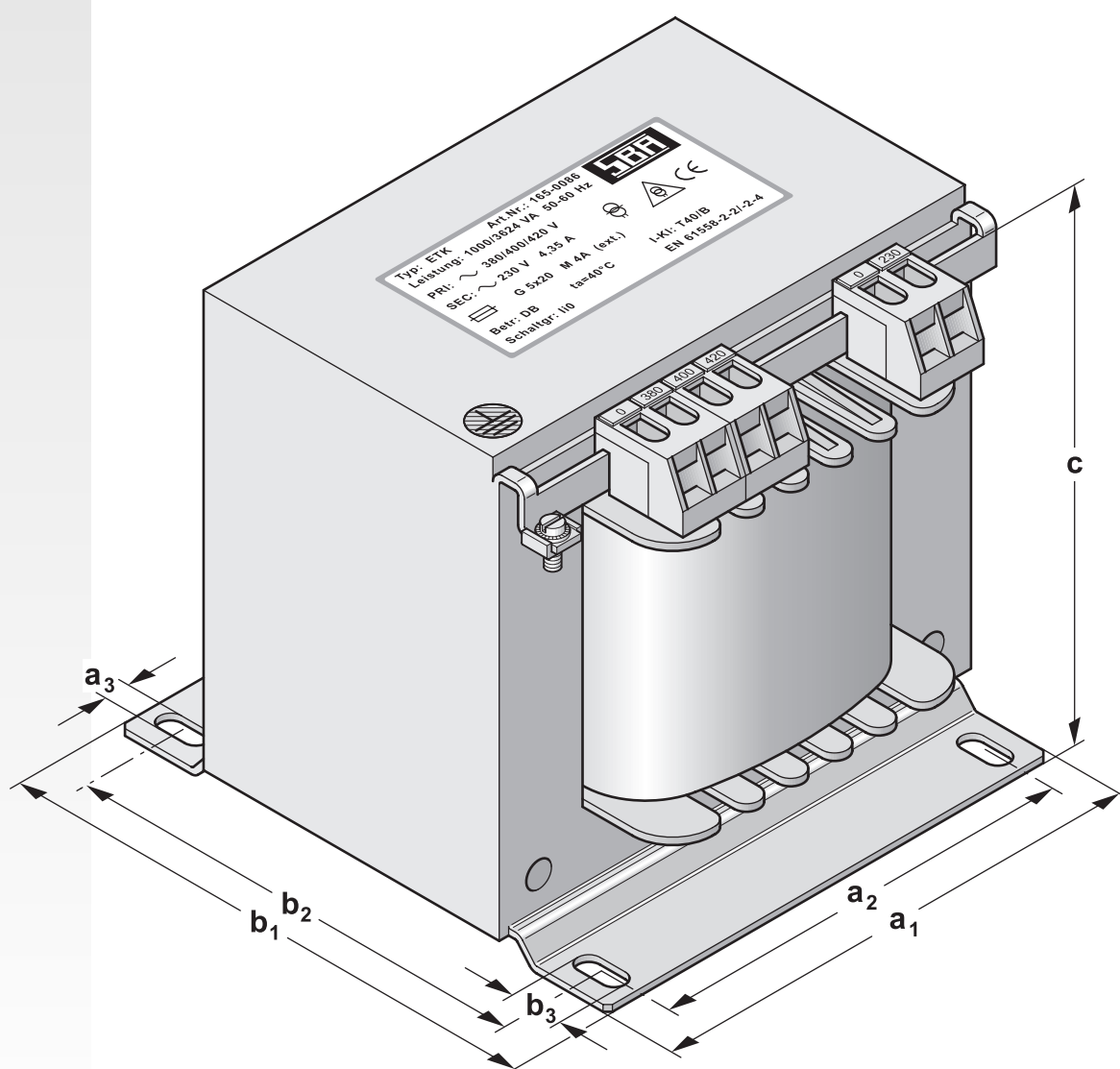


Type ETK

Single-phase control transformers to VDE 0570-2-2 / EN 61558-2-2

Application

Control transformers supplying control circuit in switchgear, distribution boards, machines, etc. according to VDE 0113 / EN 60204.



Copyright © 2002-2005 SBA



Available ex stock

380/400/420//230 Volt
 380/400/420// 24 Volt → up to 1000 VA
 220/230/240//230 Volt → up to 1000 VA
 220/230/240// 24 Volt → up to 1000 VA

For recommended fuses, see ex-stock range

TYP ETK SINGLE-PHASE CONTROL TRANSFORMERS



Construction

- ➔ Open construction (IP 00, incorporation up to max. IP 23)
- ➔ Separated windings
- ➔ With more severe requirements on test voltages and creepage distance and clearance in air because these transformers are often exposed to overvoltage
- ➔ Input-side matching taps
- ➔ Required space according to DIN 41308
- ➔ Connections to safe-to-touch screw terminals in accordance with VBG 4 with self-releasing clamp (additional clamp type terminal on request)
- ➔ High-grade, tropicalized vacuum impregnation in black polyester impregnating resin
- ➔ Wear-resistant, heat, UV and solvent resistant nameplate
- ➔ **Special versions** available on request

Specifications

Output range	50 VA - 2500 VA
Input voltage	max. 750 V
Output voltage	max. 250 V
Frequency	50-60 Hz
Vector group	li0
Protection class	I
Protection index	IP 00
Insulation class	B
Ambient temperature	max. 40° C

Overview

Size	Rated output	Short time rating	u_k	u_r	Total weight	Copper-weight	a_1	b_1	a_2	Dimensions			
	cos phi = 1	cos phi = 0,5								b_2	a_3	b_3	c
	VA (DB)	VA	%	%	appr. kg	appr. kg				approx. mm			
151	50	115	12.33	12.31	1.2	0.25	78	61	56	49	4.8	8	80
152	63	155	10.41	10.40	1.5	0.28	78	71	56	58	4.8	8	80
153	100	215	11.01	10.98	1.6	0.35	84	64	64	50	4.8	8	86
154	125	290	9.60	9.59	2.0	0.40	84	77	64	64	4.8	8	86
155	160	390	8.06	8.03	2.3	0.52	96	81	84	64	5.8	9	96
156	200	515	7.11	7.05	2.8	0.65	96	89	84	73	5.8	9	96
157	250	680	6.45	6.43	3.6	0.72	96	103	84	87	5.8	9	96
160	320	825	6.46	6.41	4.2	1.05	120	93	90	74	5.8	12	111
161	400	1130	5.34	5.28	5.2	1.15	120	101	90	85	5.8	12	111
162	500	1540	4.78	4.75	6.6	1.40	120	121	90	104	5.8	12	111
163	630	1790	4.83	4.75	7.7	2.00	150	113	122	90	7.0	15	132
164	800	2500	3.83	3.73	9.9	2.35	150	130	122	106	7.0	15	132
165	1000	3520	3.40	3.34	13.1	2.50	150	155	122	133	7.0	15	132
166	1250	2990	4.19	3.71	13.7	3.80	174	127	135	102	7.0	15	148
167	1600	4260	3.51	3.12	17.2	4.20	174	147	135	122	7.0	15	148
168	2000	5740	3.10	2.74	20.5	4.50	174	167	135	142	7.0	15	148
169	2500	7900	2.67	2.34	26.0	5.50	192	190	155	154	11.0	18	170

The values in the table above are for the thermal steady state at 40°C ambient temperature.

SBA-TrafoTech GmbH
Winkelleite 14
91332 Heiligenstadt, Germany
Telephone +49 (0)9198/8 09-19
Facsimile +49 (0)9198/8 09-30
sales@sba.de

SBA-Trafobau Jena GmbH
Ilmstraße 18
07743 Jena, Germany
Telephone +49 (0)3641/4514-0
Facsimile +49 (0)3641/4514-30
info@sba.de

Internet: www.sba.de