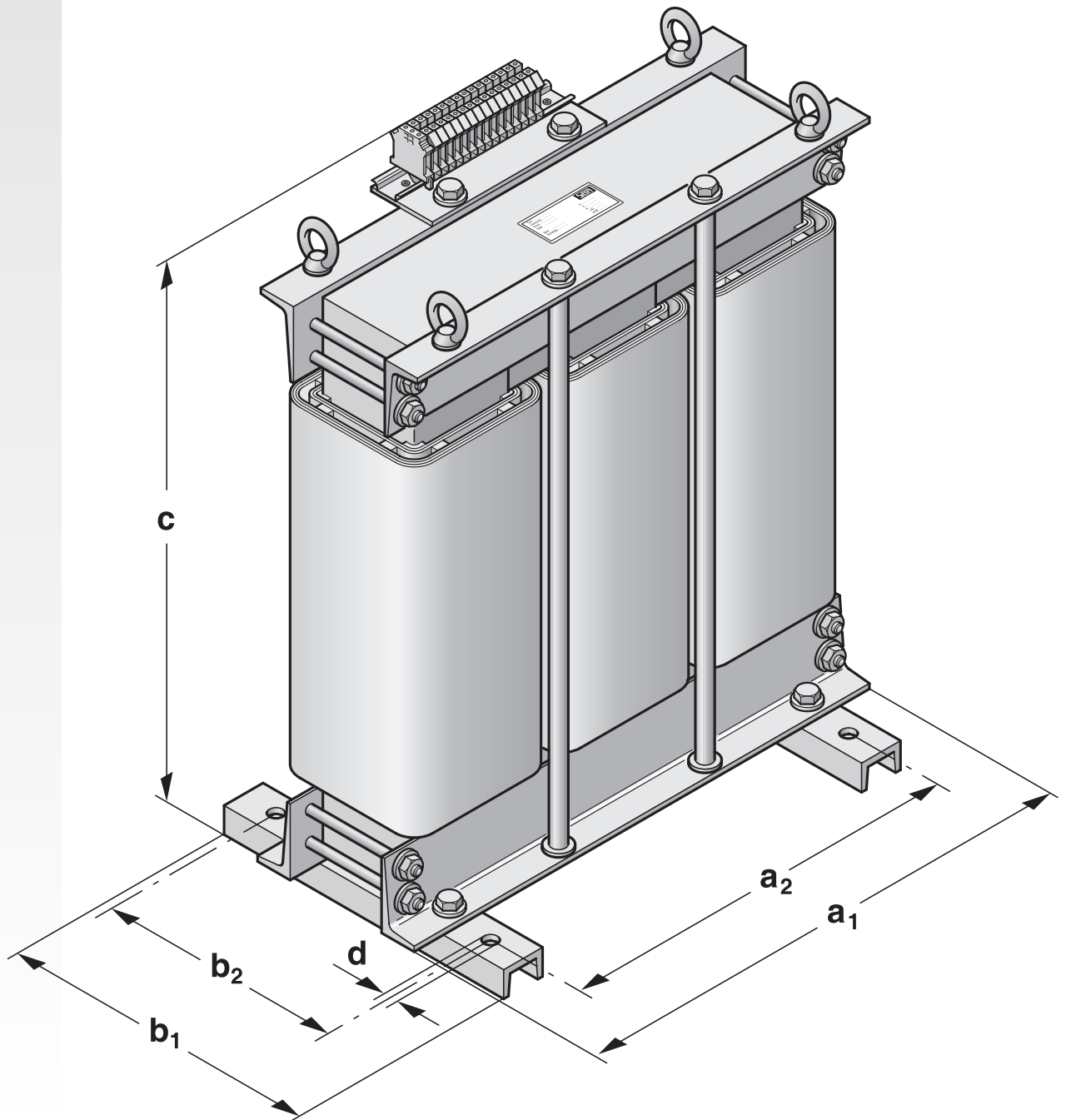


## Type DTS

Three-phase power transformers to VDE 0532

### Application

To supply electrical consumers of all kinds, e.g. measuring and control instruments, power electronic modules, mechanical engineering etc.. Customized specification and dimensions ensure optimal application.



Copyright © 2002-2005 SBA

# TYPE DTS

## THREE-PHASE POWER TRANSFORMERS



### Construction

- ➔ Open construction (IP 00, incorporation up to max. IP 23)
- ➔ Separated winding
- ➔ Resting on U sections
- ➔ Connections to safe-to-touch screw terminals in accordance with VBG 4 with self-releasing clamp (higher current ratings to studs or flat termination with bolt)
- ➔ High-grade, tropicalized vacuum impregnation in black polyester impregnating resin
- ➔ Wear-resistant, heat, UV and solvent resistant nameplate
- ➔ **Special versions** available on request

### Specifications

Output range	40 kVA - 250 kVA
Input voltage	max. 750 V
Output voltage	max. 750 V
Output current at	max. 65 A
-Screw terminals	max. 135 A
-Studs	max. 450 A
-Flat termination	max. 1500 A
Frequency	50-60 Hz
Vector group	Yy0
Protection class	I
Protection index	IP 00
Insulation class	B/F
Ambient temperature	max. 40° C

### Overview

Size	Rated output	Short-circuit voltage $u_r$	Total-weight	Copper weight	$a_1$	$b_1$	Dimensions		$d$	$c$
	kVA (DB)						appr. %	appr. kg		
249	40	3.15	190.0	56.0	570	500	380	450	13	705
237	50	2.70	220.0	64.0	570	500	380	450	13	705
239	63	2.09	270.0	77.0	570	500	380	450	13	705
248	80	2.05	330.0	105.0	720	500	480	450	15	810
241	100	1.65	420.0	122.0	720	500	480	450	15	810
242	125	1.40	490.0	132.0	720	500	480	450	15	810
246	160	1.32	590.0	212.0	900	500	600	450	15	870
247	200	1.10	740.0	236.0	900	500	600	450	15	870
245	250	1.07	860.0	250.0	900	500	600	450	15	870

The values in the table above are for the thermal steady state at 40°C ambient temperature.

**SBA-TrafoTech GmbH**  
Winkelleite 14  
91332 Heiligenstadt, Germany  
Telephone +49 (0)9198/8 09-19  
Facsimile +49 (0)9198/8 09-30  
[sales@sba.de](mailto:sales@sba.de)

**SBA-Trafobau Jena GmbH**  
Ilmstraße 18  
07743 Jena, Germany  
Telephone +49 (0)3641/4514-0  
Facsimile +49 (0)3641/4514-30  
[info@sba.de](mailto:info@sba.de)

**Internet: [www.sba.de](http://www.sba.de)**