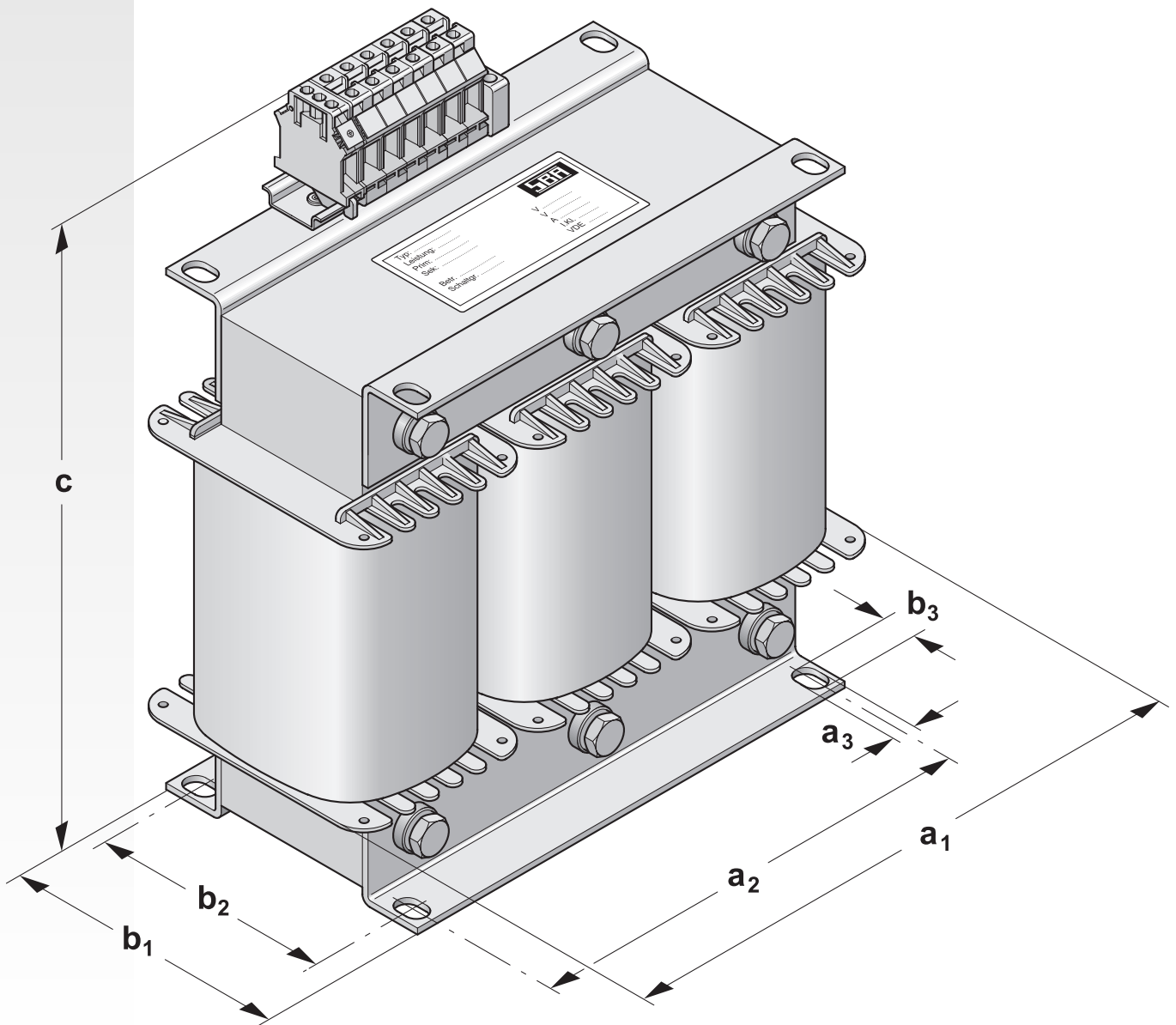


Type DTS

Three-phase power transformers to VDE 0570-2-1 / EN 61558-2-1

Application

To supply electrical consumers of all kinds, e.g. measuring and control instruments, power electronic modules, mechanical engineering etc.. Customized specification and dimensions ensure optimal application.



TYPE DTS

THREE-PHASE POWER TRANSFORMERS



Construction

- ➔ Open construction (IP 00, incorporation up to max. IP 23)
- ➔ Separated windings (safe separation)
- ➔ Resting on angular brackets (DIN 43107)
- ➔ Connections to safe-to-touch screw terminals in accordance with VBG 4 with self-releasing clamp (higher current ratings to studs or flat termination with bolt)
- ➔ High-grade, tropicalized vacuum impregnation in black polyester impregnating resin
- ➔ Wear-resistant, heat, UV and solvent resistant nameplate
- ➔ **Special versions** available on request

Specifications

Output range	40 VA - 40 kVA
Input voltage	max. 750 V
Output voltage	max. 750 V
Output current at	
-Screw terminals	max. 135 A
-Studs	max. 450 A
-Flat termination	max. 1500 A
Frequency	50-60 Hz
Vector group	Yy0
Protection class	I
Protection index	IP 00
Insulation class	B/F
Ambient temperature	max. 40° C

Overview

Size	Rated output VA (DB)	Voltage rise in no-load appr. %	Total weight appr. kg	Copper weight appr. kg	a ₁	b ₁	a ₂	Dimensions b ₂ approx. mm	a ₃	b ₃	c
205	40	19.0	1.1	0.3	95	48	50	34	4	7	116
206	63	15.0	2.0	0.4	95	57	50	43	4	7	116
207	125	16.3	2.6	0.8	120	82	81	46	6	8	134
208	160	11.1	4.2	1.0	120	92	81	57	6	8	134
209	250	9.9	5.0	1.4	150	101	106	61	7	13	172
210	400	7.5	6.0	1.8	150	116	106	76	7	13	172
211	500	8.5	7.5	2.6	180	106	106	66	7	13	188
212	800	5.8	12.0	3.8	180	126	106	86	7	13	188
215	1250	5.8	16.0	5.0	228	110	176	71	7	13	257
216	1600	5.0	20.0	6.0	228	134	176	95	7	13	257
221	2000	5.0	23.0	6.8	264	136	200	76	10	18	294
222	2500	4.2	26.0	8.7	264	162	200	102	10	18	294
223	3200	3.4	33.0	13.5	300	152	224	94	10	18	328
224	5000	3.1	42.0	14.5	300	177	224	119	10	18	328
227*	6300	3.0	53.0	21.0	360	183	264	125	10	18	371
227*	8000	2.8	54.0	22.0	360	183	264	125	10	18	371
228*	10000	2.4	62.0	26.0	360	198	264	140	10	18	371
230*	12500	2.2	90.0	33.0	420	213	316	143	13	20	435
231*	18000	1.5	110.0	36.0	420	243	316	173	13	20	435
233*	25000	1.3	125.0	42.0	480	233	356	157	13	20	490
234*	30000	1.1	165.0	48.0	480	260	356	184	13	20	490
235*	40000	0.9	220.0	62.0	480	290	356	214	13	20	490

The values in the table above are for the thermal steady state at 40° C ambient temperature.

* With 2 eyebolts

SBA-TrafoTech GmbH
Winkelleite 14
91332 Heiligenstadt, Germany
Telephone +49 (0)9198/8 09-19
Facsimile +49 (0)9198/8 09-30
sales@sba.de

SBA-Trafobau Jena GmbH
Ilmstraße 18
07743 Jena, Germany
Telephone +49 (0)3641/4514-0
Facsimile +49 (0)3641/4514-30
info@sba.de

Internet: www.sba.de