

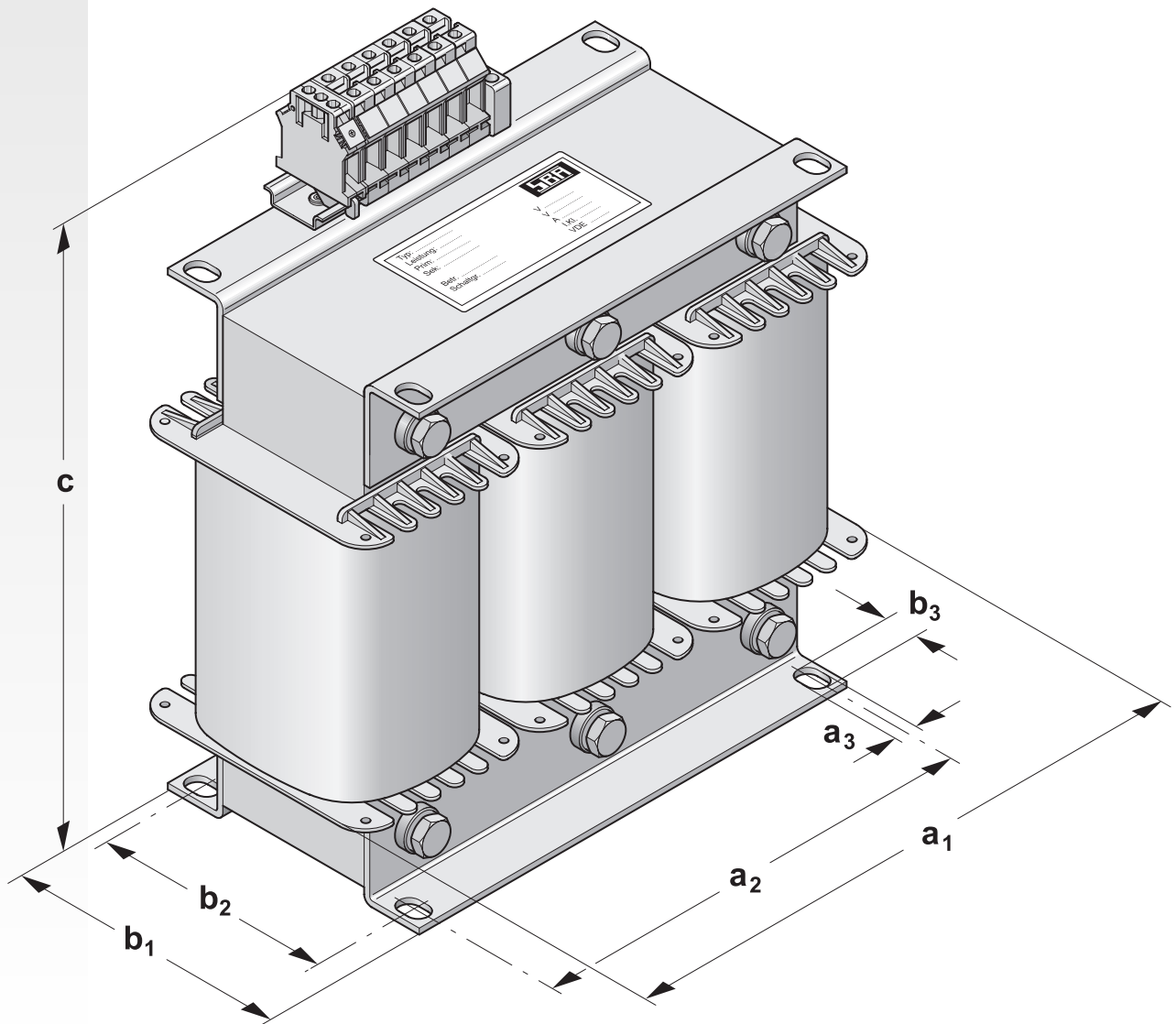
Type DTM

Three-phase isolating transformers to VDE 0100 part 710
VDE 0570-2-15 / EN 61558-2-15

Application

Isolating transformers supplying electric circuits or equipment in hospital rooms (e.g., bedrooms, examination rooms, operation theaters, etc.).

Isolating transformers are preferably used in IT systems and rooms with group 2 medical (application) equipment, i.e. the isolating transformer must not switch off automatically and conform to the standard for permanent incorporation in protection class II (without protective conductor and with double or extra strong insulation of all parts of the transformer). The transformer is available for protection class I on request. The required protection class should expressly be specified in the order.



Copyright © 2002-2005 SBA

TJPE DTM SINGLE-PHASE ISOLATING TRANSFORMERS

for installation in medical equipment rooms



Construction

- ➔ Open construction (IP 00, incorporation up to max. IP 23)
- ➔ **Due to the integration of a PTC thermistor in each coil, external monitoring arrangement protecting from overload must be provided**
- ➔ Separated windings by shielding winding and **double/extra strong insulation** (safe separation)
- ➔ Required space according to DIN 41308
- ➔ Connections to safe-to-touch screw terminals in accordance with VBG 4 with self-releasing clamp (additional clamp type terminal on request)
- ➔ High-grade, tropicalized vacuum impregnation in black polyester impregnating resin
- ➔ Wear-resistant, heat, UV and solvent resistant nameplate

Specifications

Output range	3.0 kVA - 8.0 kVA
Input voltage	3 x 400 V
Output voltage	3 x 230 V
Output current max.	3 x 230 V
Frequency	50-60 Hz
Vector group	Yyn0 with shielding winding
Protection class	II (prepared)
Protection index	IP 00
Insulation class	B
Ambient temperature	max. 40° C
Short-circuit voltage	< 3%
No-load current	< 3%
Inrush current	< 12-times rated current

Special versions

- ➔ With wrapped thermal switches instead of PTC thermistors
- ➔ With lower inrush current (8 x) like in prior norm VDE 0107
- ➔ Designed to protection class I
- ➔ Wider output range (0.5 kVA - 10 kVA)
- ➔ Wider Input voltage range (max. 1000 V AC)

Overview

Size	Rated output kVA (DB)	gl/gl to VDE 0636-31 Recommended fuse		Total weight appr. kg	Copper-weight appr. kg	a ₁	b ₁	a ₂	Dimensions approx. mm			
		primary A	secondary A						b ₂	a ₃	b ₃	c
001-5160	3.2	16	10	38.0	16.5	300	192	224	119	10	18	328
227-5061*	4.0	16	10	53.0	22.0	360	183	264	125	10	18	371
2285052*	5.0	20	16	62.0	26.0	360	198	264	140	12	18	371
229-5002*	6.3	25	16	80.0	30.0	360	213	264	155	12	18	371
230-5021*	8.0	35	20	90.0	33.0	420	213	316	143	12	20	435

The values in the table above are for the thermal steady state at 40°C ambient temperature.

* With 2 eyebolts

SBA-TrafoTech GmbH
Winkelleite 14
91332 Heiligenstadt, Germany
Telephone +49 (0)9198/8 09-19
Facsimile +49 (0)9198/8 09-30
sales@sba.de

SBA-Trafobau Jena GmbH
Ilmstraße 18
07743 Jena, Germany
Telephone +49 (0)3641/4514-0
Facsimile +49 (0)3641/4514-30
info@sba.de

Internet: www.sba.de