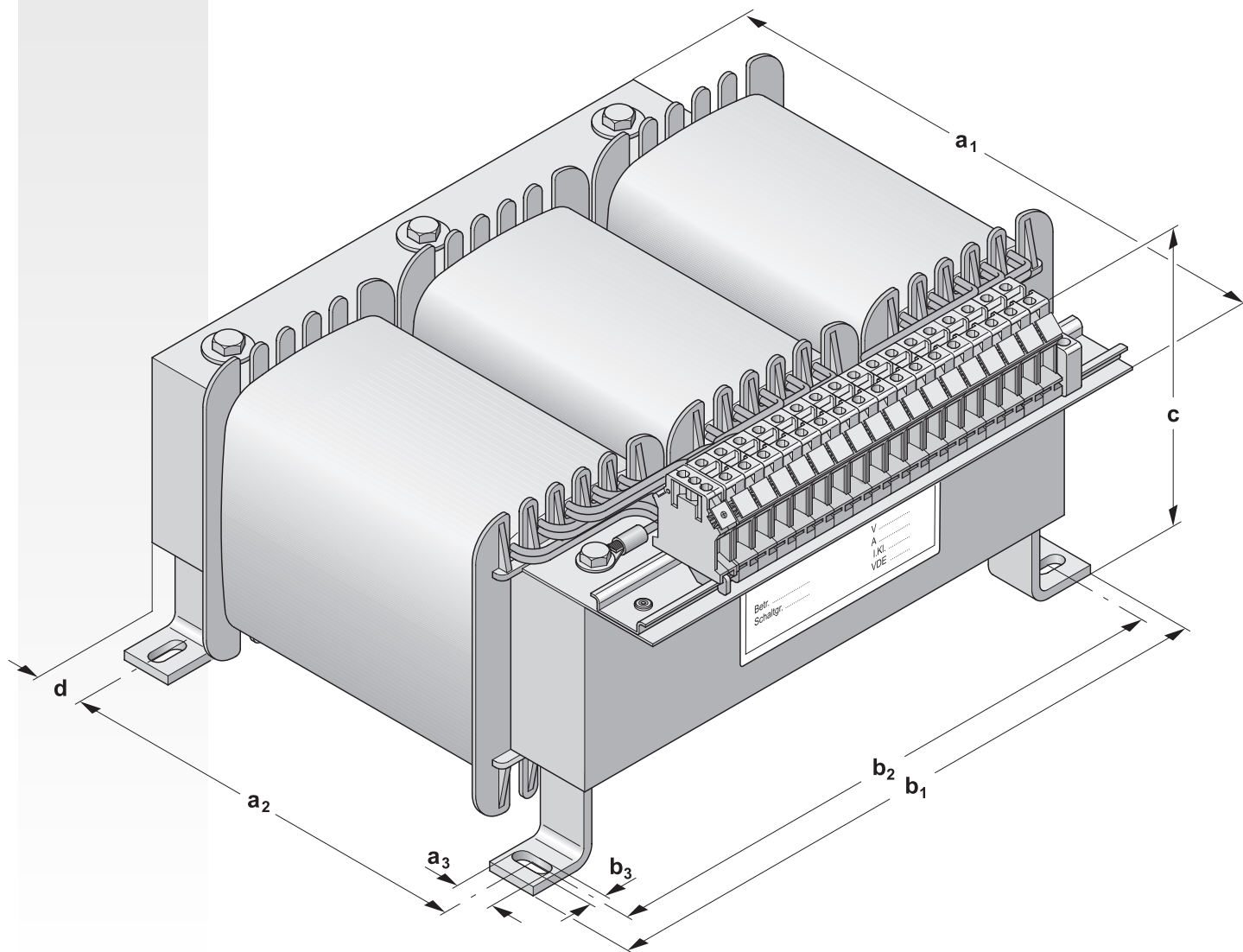


## Type DTL

Three-phase power transformers to VDE 0570-2-1 / EN 61558-2-1

### Application

To supply electrical consumers of all kinds, e.g. measuring and control instruments, power electronic modules, mechanical engineering etc.. Customized specification and dimensions ensure optimal application.



# TYPE DTI

## THREE-PHASE POWER TRANSFORMERS



### Construction

- ➔ Open construction (IP 00, incorporation up to max. IP 23)
- ➔ Separated windings
- ➔ Resting on angular brackets (DIN 41307)
- ➔ Connections to safe-to-touch screw terminals in accordance with VBG 4 with self-releasing clamp (higher current ratings to studs or flat termination with bolt)
- ➔ High-grade, tropicalized vacuum impregnation in black polyester impregnating resin
- ➔ Wear-resistant, heat, UV and solvent resistant nameplate
- ➔ **Special versions** available on request

### Specifications

Output range	40 VA - 40 kVA
Input voltage	max. 750 V
Output voltage	max. 750 V
Output current at	
- Screw terminals	max. 135 A
- Studs	max. 450 A
- Flat termination	max. 1500 A
Frequency	50-60 Hz
Vector group	Yy0
Protection class	I
Protection index	IP 00
Insulation class	B/F
Ambient temperature	max. 40°C

### Overview

Size	Rated output VA (DB)	Voltage rise in no-load appr. %	Total weight appr. kg	Copper weight appr. kg	a <sub>1</sub>	b <sub>1</sub>	a <sub>2</sub>	Dimensions b <sub>2</sub> approx. mm	a <sub>3</sub>	b <sub>3</sub>	d	c
205	40	19.0	1.1	0.3	135	96	95	72	8	6	7	70
206	63	15.0	2.0	0.4	135	96	95	72	8	6	7	80
207	125	16.3	2.6	0.8	160	120	124	80	8	6	8	78
208	160	11.1	4.2	1.0	160	120	124	80	8	6	8	88
209	250	9.9	5.0	1.4	175	185	100	165	10	7	13	85
210	400	7.5	6.0	1.8	175	185	100	165	10	7	13	100
211	500	8.5	7.5	2.6	190	206	120	184	10	7	15	95
212	800	5.8	12.0	3.8	190	206	120	184	10	7	15	115
215	1250	5.8	16.0	5.0	230	254	152	228	10	7	19	124
216	1600	5.0	20.0	6.0	230	254	152	228	10	7	19	148
221	2000	5.0	23.0	6.8	260	290	176	258	14	9	22	141
222	2500	4.2	26.0	8.7	260	290	176	258	14	9	22	167
223	3200	3.4	33.0	13.5	283	330	200	298	14	9	25	150
224	5000	3.1	36.0	14.5	283	330	200	298	14	9	25	175
227*	6300	3.0	53.0	21.0	331	394	240	358	14	9	30	186
227*	8000	2.8	54.0	22.0	331	394	240	358	14	9	30	186
228*	10000	2.4	62.0	26.0	331	394	240	358	14	9	30	201
230*	12500	2.2	90.0	33.0	383	452	280	408	20	13	35	205
231*	18000	1.5	110.0	36.0	383	452	280	408	20	13	35	235
233*	25000	1.3	125.0	42.0	433	526	320	472	20	13	40	229
234*	30000	1.1	165.0	48.0	433	526	320	472	20	13	40	256
235*	48000	0.9	220.0	62.0	433	526	320	472	20	13	40	286

The values in the table above are for the thermal steady state at 40°C ambient temperature.

\* With 2 eyebolts

**SBA-TrafoTech GmbH**  
Winkelleite 14  
91332 Heiligenstadt, Germany  
Telephone +49 (0)9198/8 09-19  
Facsimile +49 (0)9198/8 09-30  
[sales@sba.de](mailto:sales@sba.de)

**SBA-Trafobau Jena GmbH**  
Ilmstraße 18  
07743 Jena, Germany  
Telephone +49 (0)3641/4514-0  
Facsimile +49 (0)3641/4514-30  
[info@sba.de](mailto:info@sba.de)

Internet: [www.sba.de](http://www.sba.de)