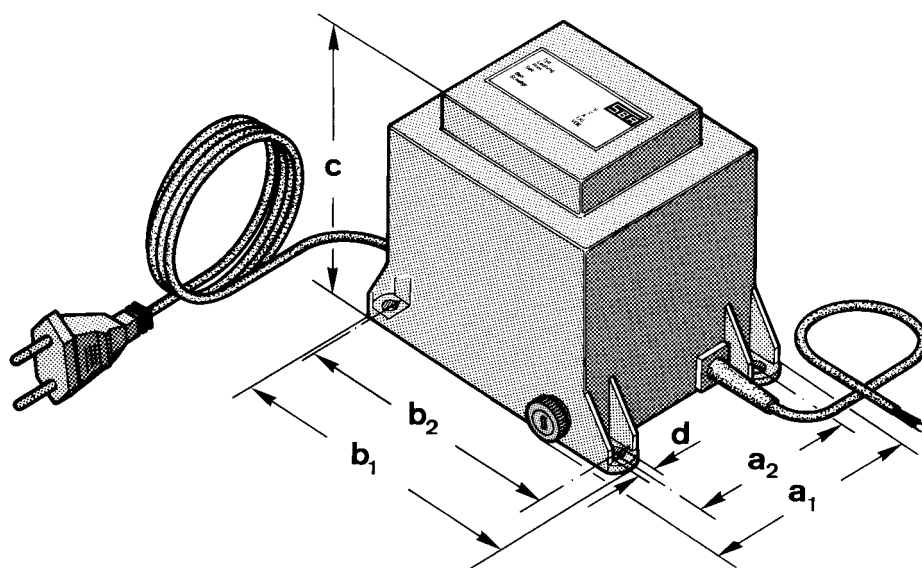


## Type GHT

Stationary safety isolating transformers to VDE 0570-2-6/ EN 61558-2-6

### Application

Transformers supplying halogen lamps working with safety extra-low voltage (SELV) of 12 V. Suitable for installation in furniture.



# TYPE GHT

## SAEFTY ISOLATING TRANSFORMERS FOR HALOGEN LAMPS



### Construction

- ➔ Encapsulated in insulation material body
- ➔ Primary: 1.5m cable with Euro flat plug
- ➔ Secondary: 0.8m cable with connector sleeve
- ➔ Non-inherently short circuit resistant
- ➔ Built-in thermal fuse or T switch and PTC or appliance fuse
- ➔ Wear-resistant, heat, UV and solvent resistant nameplate
- ➔ **Special versions** available on request

### Specifications

Output range	20 VA - 500 VA
Input voltage	230 V
Output voltage	11.5 V
Frequency	50-60 Hz
Vector group	Ii0
Protection class	II
Protection index	IP 65
Insulation class	B
Ambient temperature	max. 40°C

### Special versions

- ➔ Other connections or mounting, e.g., with CEE plug
- ➔ Transformers of higher rating are available on request
- ➔ Secondary side with clamp terminal

**Available ex stock !**

### Overview

Article no.	Rated output VA (DB)	Total weight appr. kg	Copper weight kg	a <sub>1</sub>	b <sub>1</sub>	a <sub>2</sub>	Dimensions b <sub>2</sub> approx. mm	d	c
038-0345	20	0.66	0.10	56	82	44	73	4.2	50
039-0235	40	1.15	0.18	61	88	47	78	4.2	62
040-0404	60	1.40	0.26	71	99	57	90	4.2	61
042-0362	80	2.15	0.30	75	99	57	90	4.2	75
043-0466	105	2.20	0.35	82	108	60	98	4.2	79
072-0227	150	3.20	0.55	92	130	70	115	6.2	86
073-0260	200	3.80	0.61	92	130	70	115	6.2	101
*073-0257	250	3.82	0.63	92	130	70	115	6.2	101
075-0258	300	3.90	0.70	92	130	70	115	6.2	101
075-0254	400	5.90	1.17	122	170	70	155	8.5	117
076-0253	500	5.90	1.20	122	170	70	155	8.5	117

The values in the table above are for the thermal steady state at 40°C ambient temperature.

\*with thermal switch

Copyright © 2002-2007 SBA

**SBA-TrafoTech GmbH**  
Winkelleite 14  
91332 Heiligenstadt, Germany  
Telephone +49 (0)9198/809-19  
Facsimile +49 (0)9198/809-30  
[sales@sba.de](mailto:sales@sba.de)

**SBA-Trafobau Jena GmbH**  
Ilmstraße 18  
07743 Jena, Germany  
Telephone +49 (0)3641/4514-0  
Facsimile +49 (0)3641/4514-30  
[info@sba.de](mailto:info@sba.de)

**Internet: [www.sba.de](http://www.sba.de)**