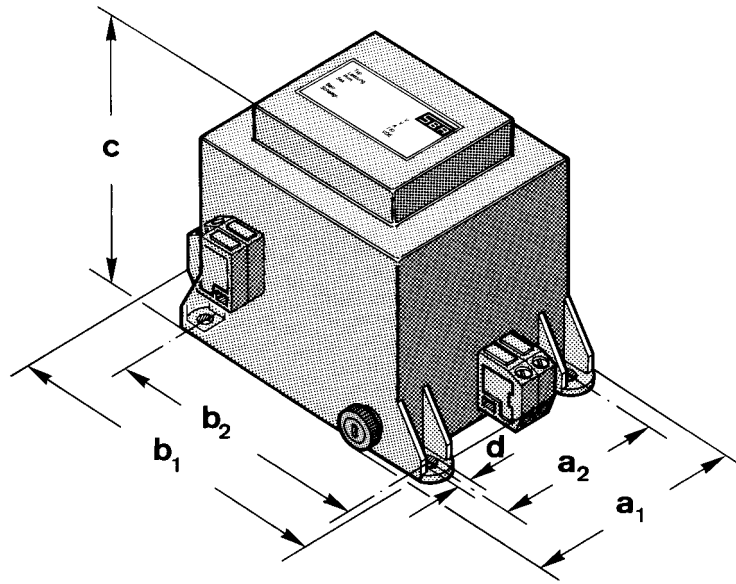


## Type GDG

Stationary saefty isolating transformers to VDE 0570-2-6 / EN 61558-2-6

### Application

For roof inlet heaters working with safety extra-low voltage (SELV) to avoid damage by subzero temperatures.



# TYPE GNG

## ROOF INLET TRANSFORMERS



### Construction

- ➔ Encapsulated transformer
- ➔ Separated windings by **double/extra strong** insulation (safe separation)
- ➔ For wall mounting
- ➔ Connection to screw terminals
- ➔ Cable entry through 2 heavy gauge threaded joints
- ➔ Slow fuse in the input circuit, can be changed from outside
- ➔ Wear-resistant, heat, UV and solvent resistant nameplate

### Specifications

Output range	25 VA - 100 VA
Input voltage	max. 230 V
Output voltage	max. 24 V
Output current	max. 4.2 A
Frequency	50-60 Hz
Vector group	li0
Protection class	II
Insulation class	B
Ambient temperature	max. 40°C

### Special versions

- ➔ Other connections at the output side, e.g., with CEE plug
- ➔ Transformers of higher rating are available on request

### Overview

Article no.	Rated output VA (DB)	Total weight appr. kg	Copper weight kg	a <sub>1</sub>	b <sub>1</sub>	a <sub>2</sub>	Dimensions b <sub>2</sub> approx. mm	d	c
714-0001	25	0.75	0.20	120	78	90	58	4.2	68
714-0100	40	0.95	0.22	120	78	90	58	4.2	72
714-0200	63	1.30	0.25	128	84	98	60	4.2	77
714-0300	100	2.20	0.40	140	94	115	70	6.2	85

The values in the table above are for the thermal steady state at 40°C ambient temperature.

### Version for installation in distribution board

- ➔ Installation in ISO m.c.b. board or distribution boxes (port height: 45mm)
- ➔ Snap-on device for top hat rail

### Overview

Article no.	Rated output VA (DB)	Total weight appr. kg	Copper weight kg	a	Dimensions b approx. mm	c
714-0600	25	0.80	0.20	82	88	73
714-0700	40	1.12	0.22	106	90	73
714-0800	63	1.25	0.25	106	90	73

The values in the table above are for the thermal steady state at 40°C ambient temperature.

Copyright © 2002-2007 SBA

**SBA-TrafoTech GmbH**  
Winkelleite 14  
91332 Heiligenstadt, Germany  
Telephone +49 (0)9198/809-19  
Facsimile +49 (0)9198/809-30  
[sales@sba.de](mailto:sales@sba.de)

**SBA-Trafobau Jena GmbH**  
Ilmstraße 18  
07743 Jena, Germany  
Telephone +49 (0)3641/4514-0  
Facsimile +49 (0)3641/4514-30  
[info@sba.de](mailto:info@sba.de)

Internet: [www.sba.de](http://www.sba.de)