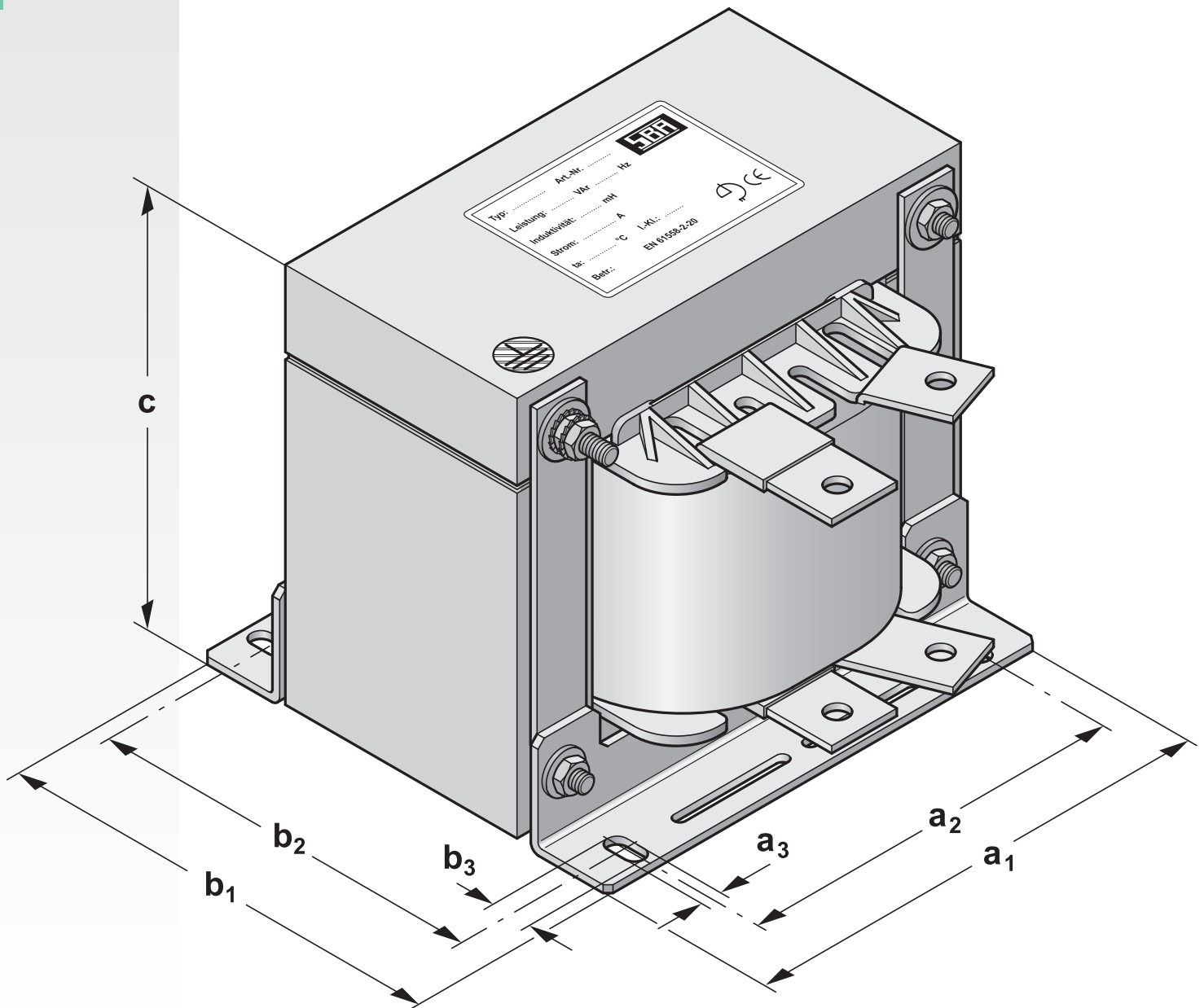


## Type DZE

Single-phase link reactor to EN 61558-2-20 / VDE 0570-2-20

### Application

The single-phase link reactor is intended for installation in the DC circuit of frequency converters. This reduces the harmonics component and improves the efficiency. It avoids system asymmetry at the input side of power system managed converters and the output side of self-commutated inverters for speed control. This improves the smooth running of drives and extends their life. The linear nature of the reaction parameters far beyond the rated current range ensures safe function also in limit areas. As loss is reduced and the efficiency of drives improved, less energy is consumed and the system environment minded.



Copyright © 2002-2005 SBA

# TYPE DZE

## SINGLE-PHASE LINK REACTORS



### Construction

- ➔ Open construction (IP 00, incorporation up to max. IP 23)
- ➔ Required space according to DIN 41308
- ➔ Depending on rated current: screw terminals or flat termination with bolt
- ➔ Very low-noise due to special core assembly and high-grade vacuum impregnation in black polyester impregnating resin
- ➔ Wear-resistant, heat, UV and solvent resistant nameplate
- ➔ **Special versions** available on request

### Specifications

Supply voltage	400 V
Saturation at	$> 1,5 \times I_{Nom}$
Current	max. 250 A
Frequency	50 Hz
Protection class	I
Protection index	IP 00
Insulation class	B
Ambient temperature	max. 40° C

### Overview

Article no.	Rated current A <sub>eff</sub>	Rated inductance at mH 2x	Total weight appr. kg	Copper weight appr. kg	a <sub>1</sub>	b <sub>1</sub>	a <sub>2</sub>	Dimensions b <sub>2</sub> approx. mm	a <sub>3</sub>	b <sub>3</sub>	c
073-5...	23	2.20	3.6	0.72	96	103	84	84	5.8	11	103
073-5...	48	1.40	3.6	0.72	96	103	84	84	5.8	11	103
001-5...	40	0.50	6.3	0.95	105	154	84	110	5.8	11	89
001-5...	53	0.55	9.5	2.50	135	155	104	104	5.8	11	120
001-5...	66	0.35	9.5	2.50	135	155	104	104	5.8	11	120
078-5...	120	0.12	9.9	2.35	150	130	122	101	7.0	13	132
079-5...	140	0.12	13.1	2.50	150	155	122	126	7.0	13	132
083-5...	190	0.19	26.0	5.50	192	190	150	150	10.0	18	175

Copyright © 2002-2005 SBA

**SBA-TrafoTech GmbH**  
Winkelleite 14  
91332 Heiligenstadt, Germany  
Telephone +49 (0)9198/8 09-19  
Facsimile +49 (0)9198/8 09-30  
[sales@sba.de](mailto:sales@sba.de)

**SBA-Trafobau Jena GmbH**  
Ilmstraße 18  
07743 Jena, Germany  
Telephone +49 (0)3641/4514-0  
Facsimile +49 (0)3641/4514-30  
[info@sba.de](mailto:info@sba.de)

Internet: [www.sba.de](http://www.sba.de)