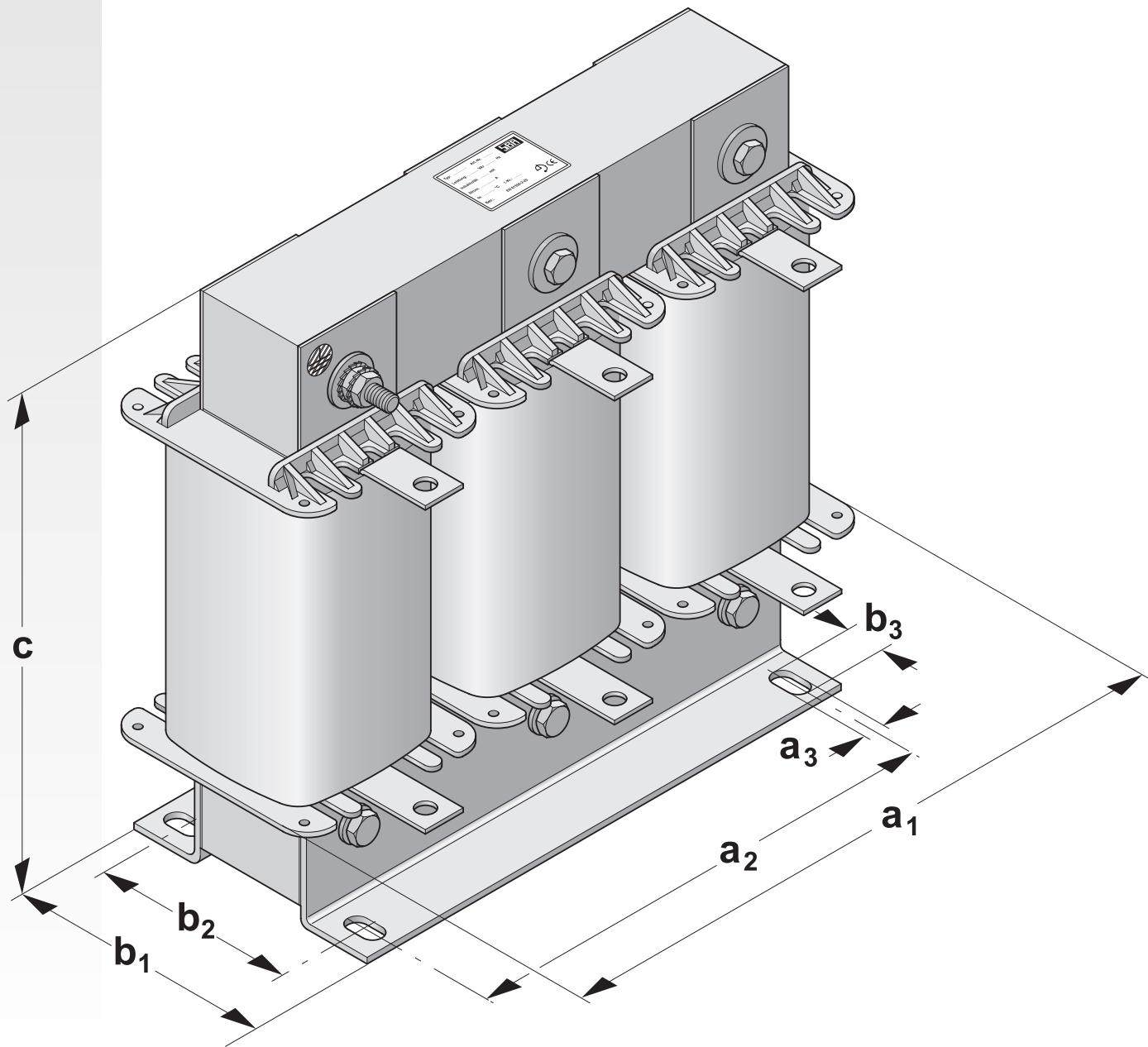


Type DND

Three-phase line reactor to EN 61558-2-20 / VDE 0570-2-20

Application

As series reactor limiting peak current, suppressing reactions on system and commutation notches. Harmonics are substantially dampened. The use as motor reactor in converter service ensures reduction of the flank steepness and therefore less motor wear and running noise. The use of individual reactors is possible. The selection of the reactor's inductance enables current limitation to be adapted to the requirements with low loss.



Copyright © 2002-2005 SBA

TYPE DND

THREE-PHASE LINE REACTORS



Construction

- ➔ Open construction (IP 00, incorporation up to max. IP 23)
- ➔ Resting on angular feet (DIN 41307)
- ➔ Depending on rated current: screw terminals or flat termination with bolt
- ➔ Very low-noise due to special core assembly and high-grade vacuum impregnation in black polyester impregnating resin
- ➔ Wear-resistant, heat, UV and solvent resistant nameplate
- ➔ **Special versions** available on request

Specifications

Supply voltage	max. 3 x 1000 V AC
Output	max. 160 kVAr
Rated current	max. 1600 A
Frequency	50-60 Hz
Protection class	I
Protection index	IP 00
Insulation class	B/F
Ambient temperature	max. 40° C

Overview

Size	Design rating VAr	Total weight appr. kg	Copper weight appr. kg	a ₁	b ₁	a ₂	Dimensions b ₂ a ₃ b ₃ c			
							approx. mm			
205	40	1.1	0.3	95	48	50	34	4	7	90
206	63	2.0	0.4	95	57	50	43	4	7	90
207	125	2.6	0.8	120	82	81	46	6	8	110
208	160	4.2	1.0	120	92	81	57	6	8	110
209	250	5.0	1.4	150	101	106	61	7	13	135
210	400	6.0	1.8	150	116	106	76	7	13	135
211	500	7.5	2.6	180	106	106	66	7	13	160
212	800	12.0	3.8	180	126	106	86	7	13	160
215	1250	16.0	5.0	228	110	176	71	7	13	210
216	1600	20.0	6.0	228	134	176	95	7	13	210
221	2000	23.0	6.8	264	136	200	76	10	18	240
222	2500	26.0	8.7	264	162	200	102	10	18	240
223	3200	33.0	13.5	300	152	224	94	10	18	270
224	5000	48.0	14.5	300	177	224	119	10	18	270
227	8000	53.0	21.0	360	183	264	125	10	18	320
228	10000	62.0	26.0	360	198	264	140	10	18	320
229	12000	72.0	32.0	360	213	264	165	10	18	320
230	12500	90.0	33.0	420	213	316	143	13	20	370
231	16000	110.0	36.0	420	243	316	173	13	20	370
233	20000	125.0	42.0	480	233	356	157	13	20	420

Copyright © 2002-2005 SBA

SBA-TrafoTech GmbH
Winkelleite 14
91332 Heiligenstadt, Germany
Telephone +49 (0)9198/8 09-19
Facsimile +49 (0)9198/8 09-30
sales@sba.de

SBA-Trafobau Jena GmbH
Ilmstraße 18
07743 Jena, Germany
Telephone +49 (0)3641/4514-0
Facsimile +49 (0)3641/4514-30
info@sba.de

Internet: www.sba.de