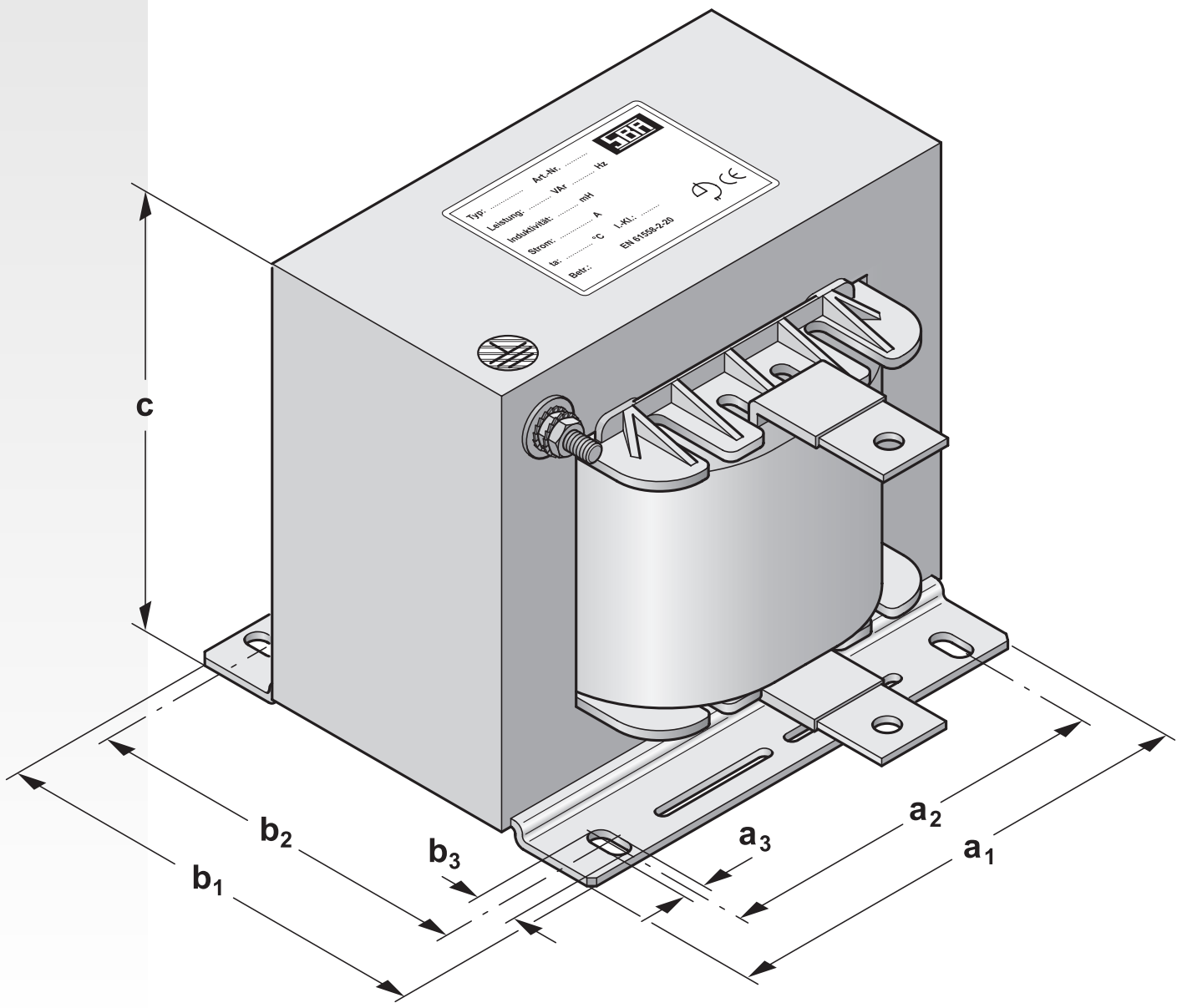


Type DKE short circuit voltage at 2% to mains (400 V)

Single-phase commutating reactor to EN 61558-2-20 / VDE 0570-2-20

Application

As commutating reactor to limit peak current, suppress reactions on system and commutation notches. Harmonics are substantially dampened. Due to the selected reactor inductance, the short-circuit voltage matches the connected consumer, with this product: short circuit voltage of 2% to mains.



SINGLE-PHASE COMMUTATING REACTORS



Construction

- ➔ Open construction (IP 00, incorporation up to max. IP 23)
- ➔ Required space according to DIN 41308
- ➔ Depending on rated current: screw terminals or flat termination with bolt
- ➔ Very low-noise due to special core assembly and high-grade vacuum impregnation in black polyester impregnating resin
- ➔ Wear-resistant, heat, UV and solvent resistant nameplate
- ➔ **Special versions** available on request

Specifications

Supply voltage	400 V
Rated current	max. 70 A
Frequency	50-60 Hz
Protection class	I
Protection index	IP 00
Insulation class	B
Ambient temperature	max. 40° C

Overview

400 V three-phase system between 2 phases / corresponds to short circuit voltage at 2%, voltage drop of 8 V at I_N

Article no.	Rated current A _{eff}	Rated inductance at 50 Hz mH	Copper weight appr.. kg	a ₁	b ₁	a ₂	Dimensions b ₂ approx. mm	a ₃	b ₃	c
036-0315*	2	12.70	0.35	46	45	38	34	3.6	7	78
037-0230*	4	6.30	0.50	55	47	44	36	3.6	7	85
038-0435*	8	3.50	0.65	66	53	50	40	4.8	8	65
039-0315*	10	2.50	0.90	66	65	50	52	4.8	8	65
040-0555*	12	2.10	1.20	78	61	56	49	4.8	8	80
041-0165*	20	1.30	1.50	78	71	56	58	4.8	8	80
042-0565*	24	1.05	1.60	84	64	64	50	4.8	8	90
043-0755*	30	0.85	2.00	84	77	64	64	4.8	8	90
071-0370*	40	0.63	2.80	96	89	84	73	5.8	9	100
072-0430*	50	0.51	2.80	96	89	84	73	5.8	9	100
073-0595**	63	0.40	3.60	96	103	84	87	5.8	9	84
074-0425**	70	0.36	4.20	120	93	90	74	5.8	12	104

* Connection to terminals

** Connection to flat termination with bolt

Copyright © 2002-2005 SBA

SBA-TrafoTech GmbH

Winkelleite 14
91332 Heiligenstadt, Germany
Telephone +49 (0)9198/8 09-19
Facsimile +49 (0)9198/8 09-30
sales@sba.de

SBA-Trafobau Jena GmbH

Ilmstraße 18
07743 Jena, Germany
Telephone +49 (0)3641/4514-0
Facsimile +49 (0)3641/4514-30
info@sba.de

Internet: www.sba.de