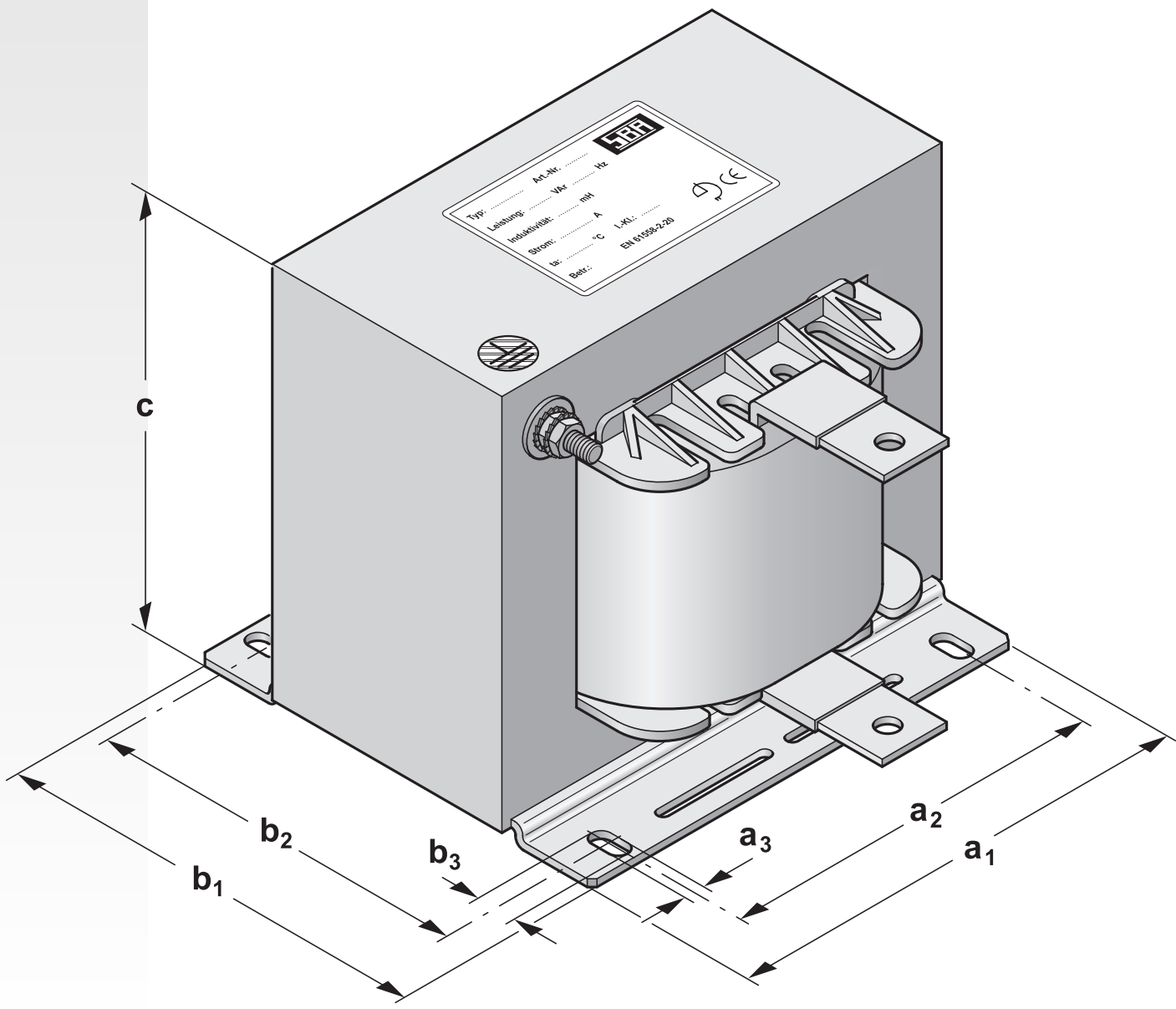


Type **DKE** short circuit voltage at 2% to mains (230 V)

Single-phase commutating reactor to EN 61558-2-20 / VDE 0570-2-20

Application

As commutating reactor to limit peak current, suppress reactions on system and commutation notches. Harmonics are substantially dampened. Due to the selected reactor inductance, the short-circuit voltage matches the connected consumer, with this product: short circuit voltage of 2% to mains.



SINGLE-PHASE COMMUTATING REACTORS



Construction

- ➔ Open construction (IP 00, incorporation up to max. IP 23)
- ➔ Required space according to DIN 41308
- ➔ Depending on rated current: screw terminals or flat termination with bolt
- ➔ Very low-noise due to special core assembly and high-grade vacuum impregnation in black polyester impregnating resin
- ➔ Wear-resistant, heat, UV and solvent resistant nameplate
- ➔ **Special versions** available on request

Specifications

| | | |
|---------------------|------|----------|
| Supply voltage | max. | 230 V |
| Rated current | max. | 125 A |
| Frequency | | 50-60 Hz |
| Protection class | | I |
| Protection index | | IP 00 |
| Insulation class | | B |
| Ambient temperature | max. | 40° C |

Overview

230 V single-phase system / corresponds to short circuit voltage at 2%, voltage drop of 4.6 V at I_N

| Article no. | Rated current A _{eff} | Rated inductance at 50 Hz mH | Copper weight appr. kg | a ₁ | b ₁ | a ₂ | Dimensions b ₂ approx. mm | a ₃ | b ₃ | c |
|-------------|-----------------------------------|------------------------------------|------------------------------|----------------|----------------|----------------|--|----------------|----------------|-----|
| 036-0310* | 4 | 3.60 | 0.35 | 46 | 45 | 38 | 34 | 3.6 | 7 | 78 |
| 037-0225* | 8 | 1.80 | 0.50 | 55 | 47 | 44 | 36 | 3.6 | 7 | 85 |
| 038-0430* | 12 | 1.20 | 0.65 | 66 | 53 | 50 | 40 | 4.8 | 9 | 65 |
| 039-0330* | 16 | 0.90 | 0.90 | 66 | 65 | 50 | 52 | 4.8 | 9 | 65 |
| 040-0550* | 20 | 0.72 | 1.20 | 78 | 61 | 56 | 49 | 4.8 | 8 | 80 |
| 041-0160* | 32 | 0.45 | 1.50 | 78 | 71 | 56 | 58 | 4.8 | 8 | 80 |
| 042-0560* | 40 | 0.36 | 1.60 | 84 | 64 | 64 | 50 | 4.8 | 8 | 100 |
| 043-0750* | 50 | 0.29 | 2.00 | 84 | 77 | 64 | 64 | 4.8 | 8 | 100 |
| 071-0365** | 70 | 0.20 | 2.80 | 96 | 89 | 84 | 73 | 5.8 | 9 | 84 |
| 072-0425** | 80 | 0.18 | 2.80 | 96 | 89 | 84 | 73 | 5.8 | 9 | 84 |
| 073-0590** | 100 | 0.14 | 3.60 | 96 | 103 | 84 | 87 | 5.8 | 9 | 84 |
| 074-0420** | 125 | 0.11 | 4.20 | 120 | 93 | 90 | 74 | 5.8 | 12 | 104 |

* Connection to terminals

** Connection to flat termination with bolt

Copyright © 2002-2005 SBA

SBA-TrafoTech GmbH

Winkelleite 14
91332 Heiligenstadt, Germany
Telephone +49 (0)9198/8 09-19
Facsimile +49 (0)9198/8 09-30
sales@sba.de

SBA-Trafobau Jena GmbH

Ilmstraße 18
07743 Jena, Germany
Telephone +49 (0)3641/4514-0
Facsimile +49 (0)3641/4514-30
info@sba.de

Internet: www.sba.de