

Type DKE

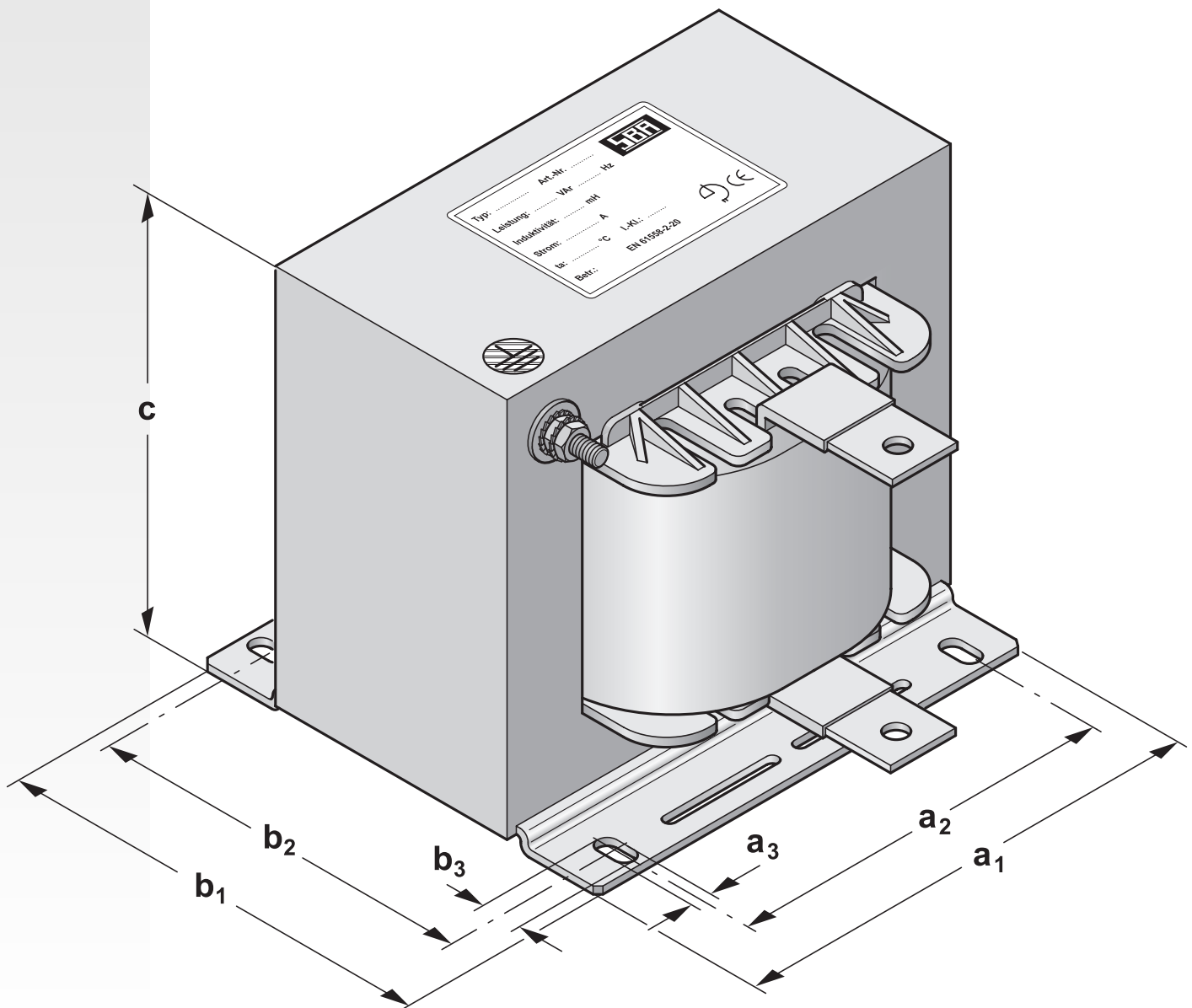
short circuit voltage at 4% to mains (230 V)

Single-phase commutating reactor to EN 61558-2-20 / VDE 0570-2-20

Application

As commutating reactor to limit peak current, suppress reactions on system and commutation notches. Harmonics are substantially dampened.

Due to the selected reactor inductance, the short-circuit voltage matches the connected consumer, with this product: short circuit voltage of 4% to mains.



Copyright © 2002-2005 SBA

SINGLE-PHASE COMMUTATING REACTORS



Construction

- ➔ Open construction (IP 00, incorporation up to max. IP 23)
- ➔ Required space according to DIN 41308
- ➔ Depending on rated current: screw terminals or flat termination with bolt
- ➔ Very low-noise due to special core assembly and high-grade vacuum impregnation in black polyester impregnating resin
- ➔ Wear-resistant, heat, UV and solvent resistant nameplate
- ➔ **Special versions** available on request

Specifications

Supply voltage	max.	230 V
Rated current	max.	63 A
Frequency		50-60 Hz
Protection class		I
Protection index		IP 00
Insulation class		B
Ambient temperature	max.	40° C

Overview

230 V single-phase system / corresponds to short circuit voltage at 4%, voltage drop of 9.2 V at I_N

Article no.	Rated current	Rated inductance at 50 Hz	Copper weight	a_1	b_1	a_2	Dimensions			
	A_{eff}	mH	approx. kg				b_2	a_3	b_3	c
							approx. mm			
036-0257*	2	14.70	0.08	46	45	38	34	3.6	7	78
037-0220*	4	7.33	0.12	55	47	44	36	3.6	7	85
038-0330*	6	4.88	0.16	66	53	50	40	4.8	9	65
039-0320*	8	3.66	0.18	66	65	50	52	4.8	9	65
040-0482*	10	2.93	0.25	78	61	56	49	4.8	8	80
041-0127*	16	1.84	0.28	78	71	56	58	4.8	8	80
042-0550*	20	1.46	0.35	84	64	64	50	4.8	8	90
043-0740*	25	1.17	0.40	84	77	64	64	4.8	8	90
071-0360*	35	0.84	0.52	96	81	84	64	5.8	9	100
072-0415*	40	0.73	0.65	96	89	84	73	5.8	9	100
073-0580*	50	0.59	0.72	96	103	84	87	5.8	9	105
074-0410**	63	0.47	1.05	120	93	90	74	5.8	12	104

* Connection to terminals

** Connection to flat termination with bolt

Copyright © 2002-2005 SBA

SBA-TrafoTech GmbH

Winkelleite 14
91332 Heiligenstadt, Germany
Telephone +49 (0)9198/8 09-19
Facsimile +49 (0)9198/8 09-30
sales@sba.de

SBA-Trafobau Jena GmbH

Ilmstraße 18
07743 Jena, Germany
Telephone +49 (0)3641/4514-0
Facsimile +49 (0)3641/4514-30
info@sba.de

Internet: www.sba.de