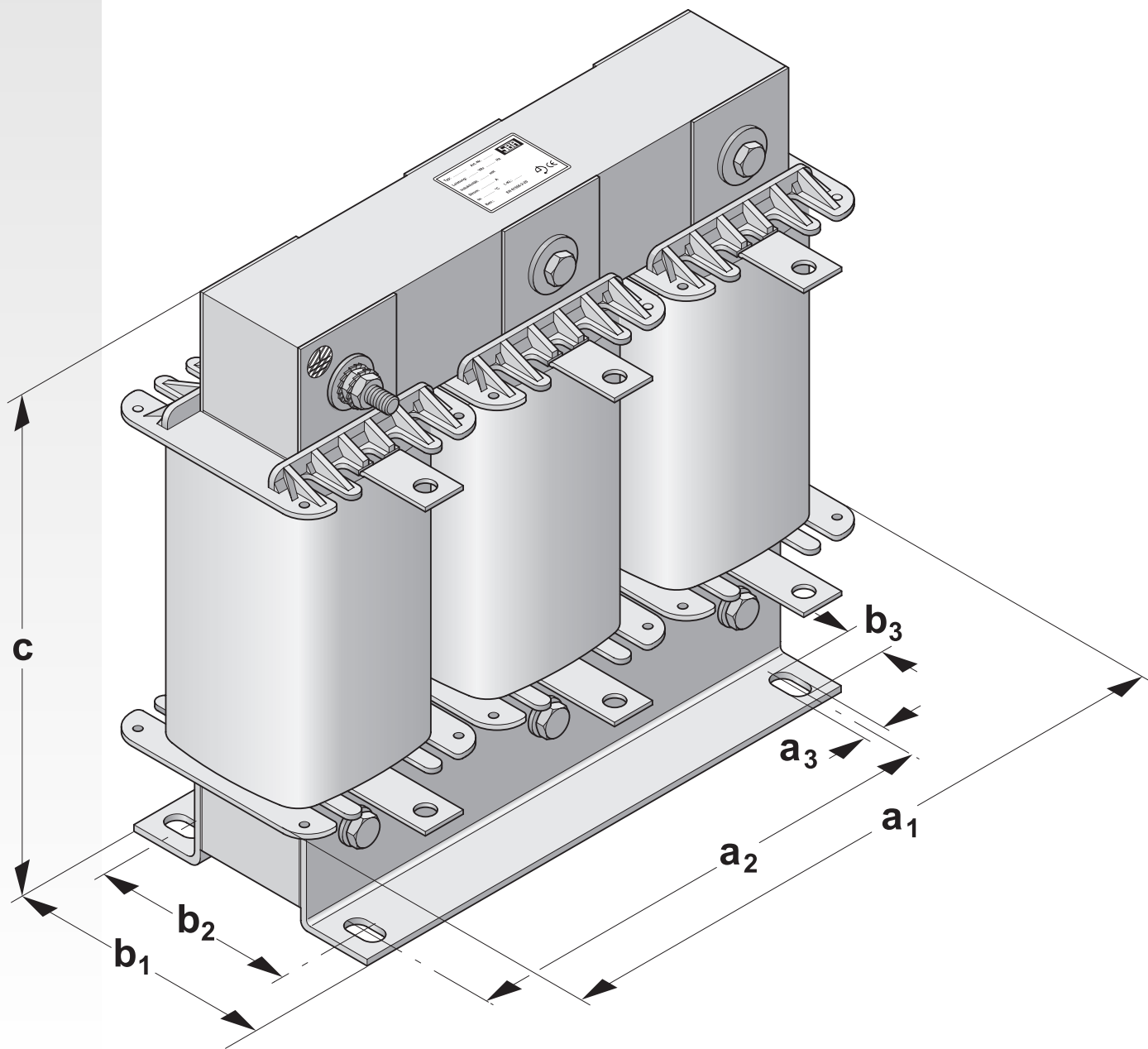


## Type DKD    short circuit voltage at 4%

Three-phase commutating reactor to EN 61558-2-20 / VDE 0570-2-20

### Application

As commutating reactor limiting peak current, suppressing reactions on system and commutation notches. Harmonics are substantially dampened. The use as motor reactor in converter service ensures reduction of the flank steepness and therefore less motor wear and running noise. The use of individual reactors is possible. Due to the selected reactor inductance, the short-circuit voltage matches the connected consumer, with this product: short circuit voltage of 2% .



Copyright © 2002-2005 SBA

# TYPE DKO THREE-PHASE COMMUTATING REACTORS



## Construction

- ➔ Open construction (IP 00, incorporation up to max. IP 23)
- ➔ Resting on angular feet (DIN 41307)
- ➔ Depending on rated current: screw terminals or flat termination with bolt
- ➔ Very low-noise due to special core assembly and high-grade vacuum impregnation in black polyester impregnating resin
- ➔ Wear-resistant, heat, UV and solvent resistant nameplate
- ➔ **Special versions** available on request

## Specifications

Output range	max.	160 kVAr
Supply voltage		3 x 400 V
Rated current	max.	1000 A
Frequency		50-60 Hz
Short-circuit voltage		$u_k = 4\%$ (9.2 V)
Protection class		I
Protection index		IP 00
Insulation class		B/F
Ambient temperature	max.	40° C

## Overview

**3 x 400 V three-phase system / corresponds to short circuit voltage at 4%, voltage drop of 9.2 V at  $I_N$**

Article no.	Rated current	Rated inductance at 50 Hz	Total weight	Copper weight	$a_1$	$b_1$	Dimensions				
	$A_{eff}$	mH	appr. kg	appr. kg			$a_2$	$b_2$	$a_3$	$b_3$	c
approx. mm											
205-0081*	4	7.300	1.1	0.3	95	48	50	34	4	7	116
206-0081*	6	4.860	2.0	0.4	95	57	50	43	4	7	116
207-0131*	10	2.940	2.6	0.8	120	82	81	46	6	8	134
208-0177*	16	1.840	4.2	1.0	120	92	81	57	6	8	134
209-0303*	25	1.130	5.0	1.4	150	101	106	61	7	13	172
210-0237*	40	0.730	6.0	1.8	150	116	106	76	7	13	172
211-0366*	50	0.590	7.5	2.6	180	106	106	66	7	13	188
212-0649*	63	0.470	12.0	3.8	180	126	106	86	7	13	188
215-0577*	80	0.370	16.0	5	228	110	176	71	7	13	257
215-0443*	100	0.290	16.0	5	228	110	176	71	7	13	257
216-0407*	125	0.236	20.0	6	228	134	176	95	7	13	257
221-0275**	160	0.180	23.0	6.8	264	136	200	76	10	18	240
222-0320**	250	0.120	26.0	8.7	264	162	200	102	10	18	240
223-0289**	315	0.092	33.0	13.5	300	152	224	94	10	18	270
224-0673**	400	0.073	48.0	14.5	300	177	224	119	10	18	270
227-0600**	500	0.059	54.0	22	360	183	264	125	10	18	320
228-0353**	630	0.046	62.0	26	360	198	264	140	10	18	320
229-0138**	800	0.036	72.0	32	360	213	264	155	10	18	320
231-0244**	1000	0.029	110.0	36	420	243	316	173	13	20	370

\* Connection to terminals

\*\* Connection to flat termination with bolt

Copyright © 2002-2005 SBA

**SBA-TrafoTech GmbH**  
Winkelleite 14  
91332 Heiligenstadt, Germany  
Telephone +49 (0)9198/8 09-19  
Facsimile +49 (0)9198/8 09-30  
[sales@sba.de](mailto:sales@sba.de)

**SBA-Trafobau Jena GmbH**  
Ilmstraße 18  
07743 Jena, Germany  
Telephone +49 (0)3641/4514-0  
Facsimile +49 (0)3641/4514-30  
[info@sba.de](mailto:info@sba.de)

Internet: [www.sba.de](http://www.sba.de)