

## Type DGE

Single-phase smoothing reactor to EN 61558-2-20 / VDE 0570-2-20

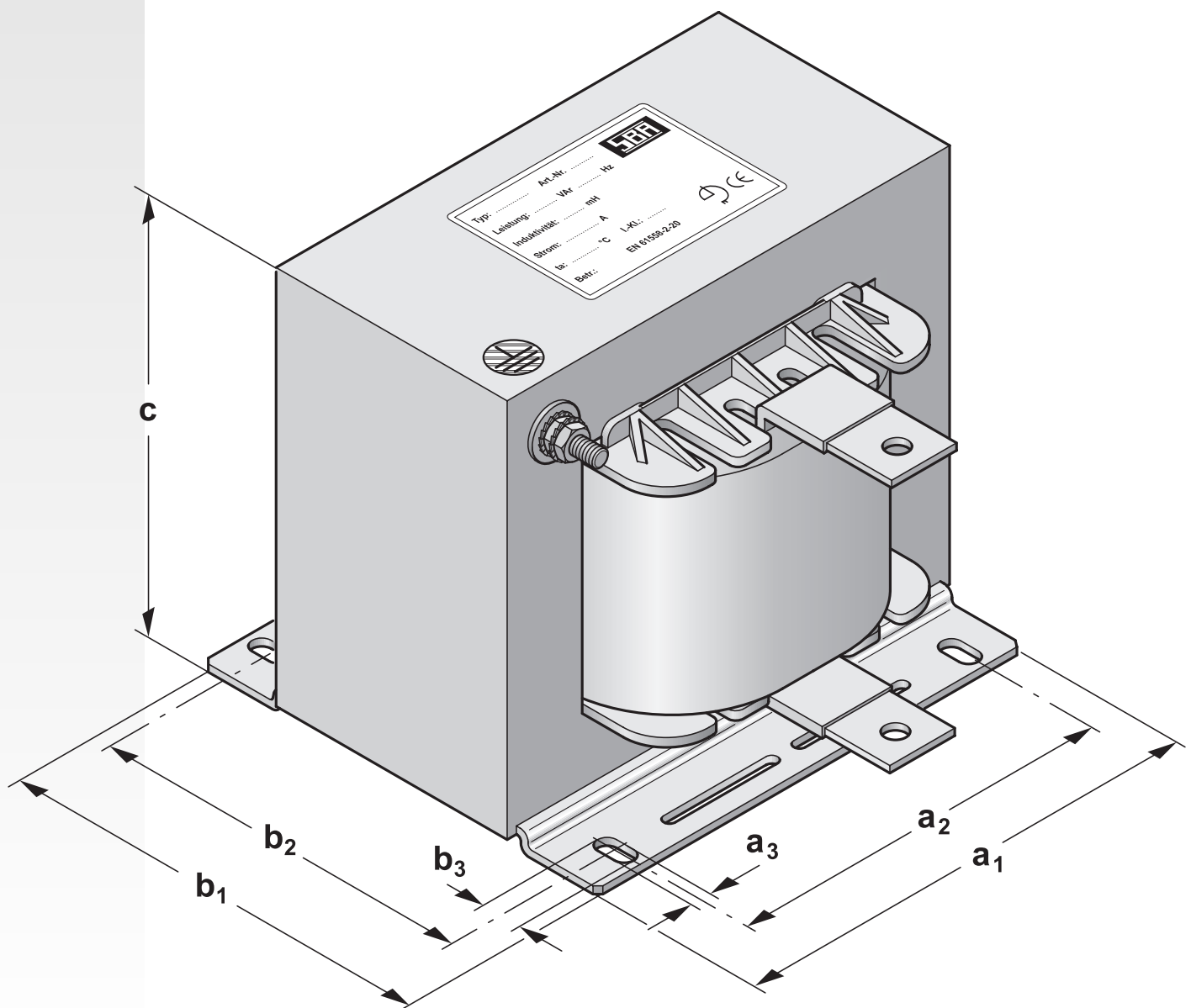
### Application

To reduce the ripple in DC circuits, e.g., of controlled power converters. This reduces the noise and heat of connected motors and also reduces motor loss.

Reduces commutator wear and thereby extends the useful life.

Parallel operation of phase-displaced power converters is possible by suppression of compensating current.

Customized specification and dimensions ensure optimal application.



# SINGLE-PHASE SMOOTHING REACTORS



## Construction

- ⇒ Open construction (IP 00, incorporation up to max. IP 23)
- ⇒ Required space according to DIN 41308
- ⇒ Depending on rated current: screw terminals or flat termination with bolt
- ⇒ Very low-noise due to special core assembly and high-grade vacuum impregnation in black polyester impregnating resin
- ⇒ Wear-resistant, heat, UV and solvent resistant nameplate
- ⇒ **Special versions** available on request

## Specifications

Energy level	max.	10 Ws
Rated inductance	max.	1000 mH
Rated voltage	max.	1000 V DC
Frequency		0-300 Hz
Protection class		I
Protection index		IP 00
Insulation class		B
Ambient temperature	max.	40° C

## Overview

Size	Magnetic energy = $L \times I^2 \times 0,5$ Ws	Total weight appr. kg	Copper weight appr. kg	a <sub>1</sub>	b <sub>1</sub>	a <sub>2</sub>	Dimensions b <sub>2</sub> approx. mm	a <sub>3</sub>	b <sub>3</sub>	c	c*
037	0.08	0.5	0.12	55	47	44	36	3.6	7	65	85
038	0.13	0.6	0.16	66	53	50	40	4.8	8	55	65
039	0.20	0.9	0.18	66	65	50	52	4.8	8	55	65
040	0.25	1.2	0.25	78	61	56	49	4.8	8	70	80
041	0.32	1.5	0.28	78	71	56	58	4.8	8	70	80
042	0.40	1.6	0.35	84	64	64	50	4.8	8	75	90
043	0.50	2.0	0.40	84	77	64	64	4.8	8	75	90
071	0.64	2.3	0.52	96	81	84	64	5.8	9	85	100
072	0.80	2.8	0.65	96	89	84	73	5.8	9	85	100
073	1.00	3.6	0.72	96	103	84	87	5.8	9	85	100
074	1.30	4.2	1.05	120	93	90	74	5.8	12	105	120
075	1.60	5.2	1.15	120	101	90	85	5.8	12	105	120
076	2.00	6.6	1.40	120	121	90	104	5.8	12	105	120
077	2.50	7.7	2.00	150	113	122	90	7	15	130	140
078	3.20	9.9	2.35	150	130	122	106	7	15	130	140
079	4.00	13.1	2.50	150	155	122	133	7	15	130	140
080	5.00	13.7	3.80	174	127	135	102	7	15	150	160
081	6.40	17.2	4.20	174	147	135	122	7	15	150	160
082	8.00	20.5	4.50	174	167	135	142	7	15	150	160
083	10.00	26.0	5.50	192	190	155	154	11	18	165	180

\*Dimensions include terminals

Copyright © 2002-2005 SBA

**SBA-TrafoTech GmbH**  
Winkelleite 14  
91332 Heiligenstadt, Germany  
Telephone +49 (0)9198/8 09-19  
Facsimile +49 (0)9198/8 09-30  
[sales@sba.de](mailto:sales@sba.de)

**SBA-Trafobau Jena GmbH**  
Ilmstraße 18  
07743 Jena, Germany  
Telephone +49 (0)3641/4514-0  
Facsimile +49 (0)3641/4514-30  
[info@sba.de](mailto:info@sba.de)

Internet: [www.sba.de](http://www.sba.de)