

Type DGE

Single-phase smoothing reactor to EN 61558-2-20 / VDE 0570-2-20

Application

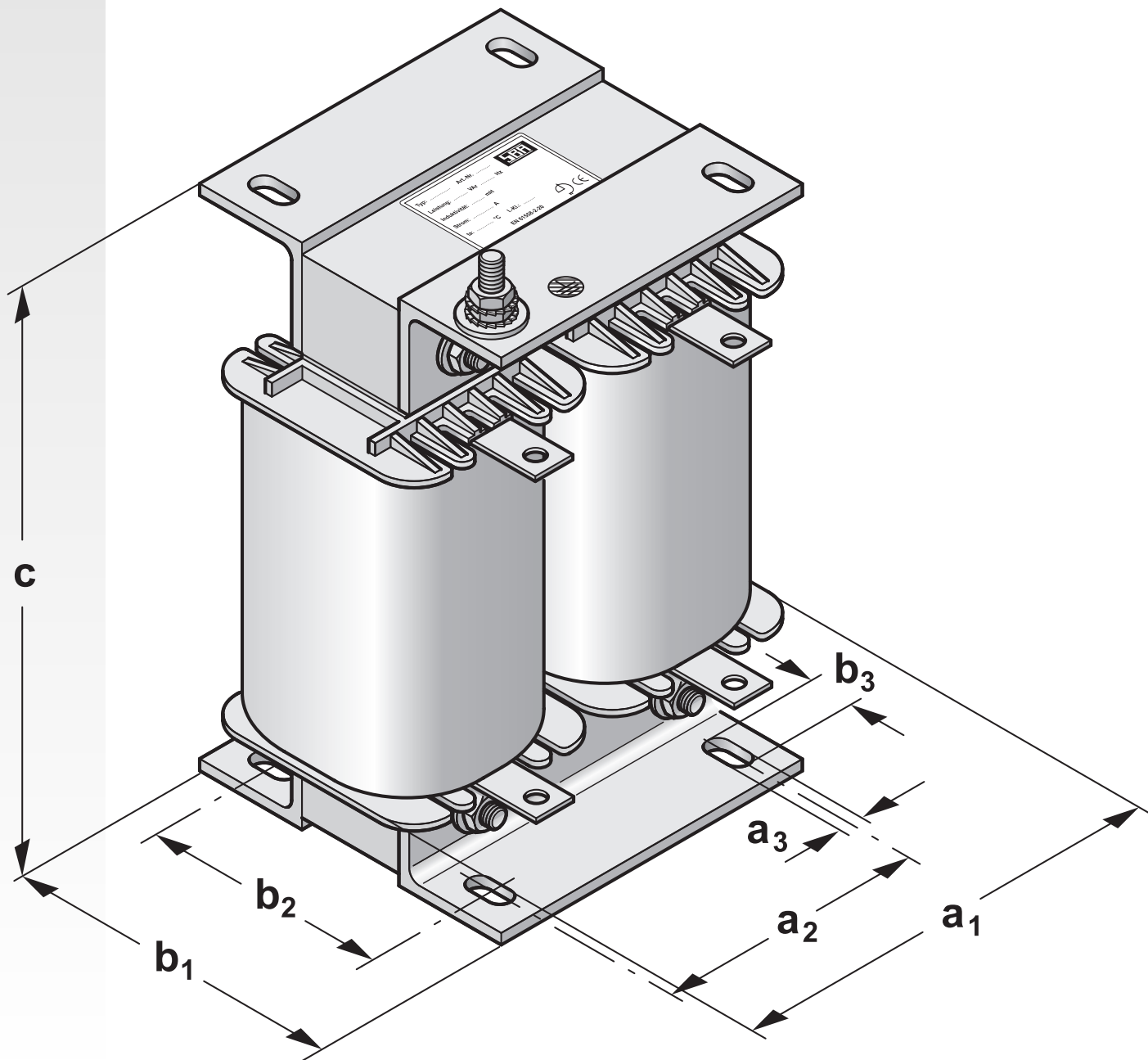
To reduce the ripple in DC circuits, e.g., of controlled power converters.

This reduces the noise and heat of connected motors and also reduces motor loss.

Reduces commutator wear and thereby extends the useful life.

Parallel operation of phase-displaced power converters is possible by suppression of compensating current.

Customized specification and dimensions ensure optimal application.



Copyright © 2002-2005 SBA

TYP DGE SINGLE-PHASE SMOOTHING REACTORS



Construction

- ➔ Open construction (IP 00, incorporation up to max. IP 23)
- ➔ Resting on angular feet (DIN 41307)
- ➔ Depending on rated current: screw terminals or flat termination with bolt
- ➔ Very low-noise due to special core assembly and high-grade vacuum impregnation in black polyester impregnating resin
- ➔ Wear-resistant, heat, UV and solvent resistant nameplate
- ➔ **Special versions** available on request

Specifications

Energy level	max.	640 Ws
Rated inductance	max.	1000 mH
Rated voltage	max.	1000 VDC
Frequency		0-300 Hz
Protection class		I
Protection index		IP 00
Insulation class		B/F
Ambient temperature	max.	40° C

Overview

Size	Magnetic energy = $L \times I^2 \times 0,5$ Ws	Total weight appr. kg	Copper weight appr. kg	a_1	b_1	a_2	Dimensions b_2 approx. mm	a_3	b_3	c
123	10	24.0	8.7	196	122	124	94	10	18	260
124	12.8	30.0	10.0	196	147	124	119	10	18	260
127	20	39.0	15.0	235	153	144	125	10	18	310
128	25	45.0	16.0	235	168	144	140	10	18	310
129	32	51.0	17.0	235	183	144	155	10	18	310
130	40	61.0	24.0	275	173	176	143	12	18	360
131	50	77.0	27.0	275	203	176	173	12	18	360
133	64	88.0	36.0	313	193	196	157	13	20	420
134	80	107.0	39.0	313	220	196	184	13	20	420
135	100	128.0	43.0	313	250	196	214	13	20	420
137	128	140.0	45.0	380	500	190	450	13	13	640
139	160	170.0	53.0	380	500	190	450	13	13	640
148	200	215.0	70.0	480	500	240	450	13	13	750
141	250	275.0	81.0	480	500	240	450	13	13	750
142	320	320.0	88.0	480	500	240	450	13	13	750
146	400	380.0	141.0	600	500	300	450	13	13	810
147	500	480.0	157.0	600	500	300	450	13	13	810
145	640	560.0	165.0	600	500	300	450	13	13	810

Copyright © 2002-2005 SBA

SBA-TrafoTech GmbH
Winkelleite 14
91332 Heiligenstadt, Germany
Telephone +49 (0)9198/8 09-19
Facsimile +49 (0)9198/8 09-30
sales@sba.de

SBA-Trafobau Jena GmbH
Ilmstraße 18
07743 Jena, Germany
Telephone +49 (0)3641/4514-0
Facsimile +49 (0)3641/4514-30
info@sba.de

Internet: www.sba.de