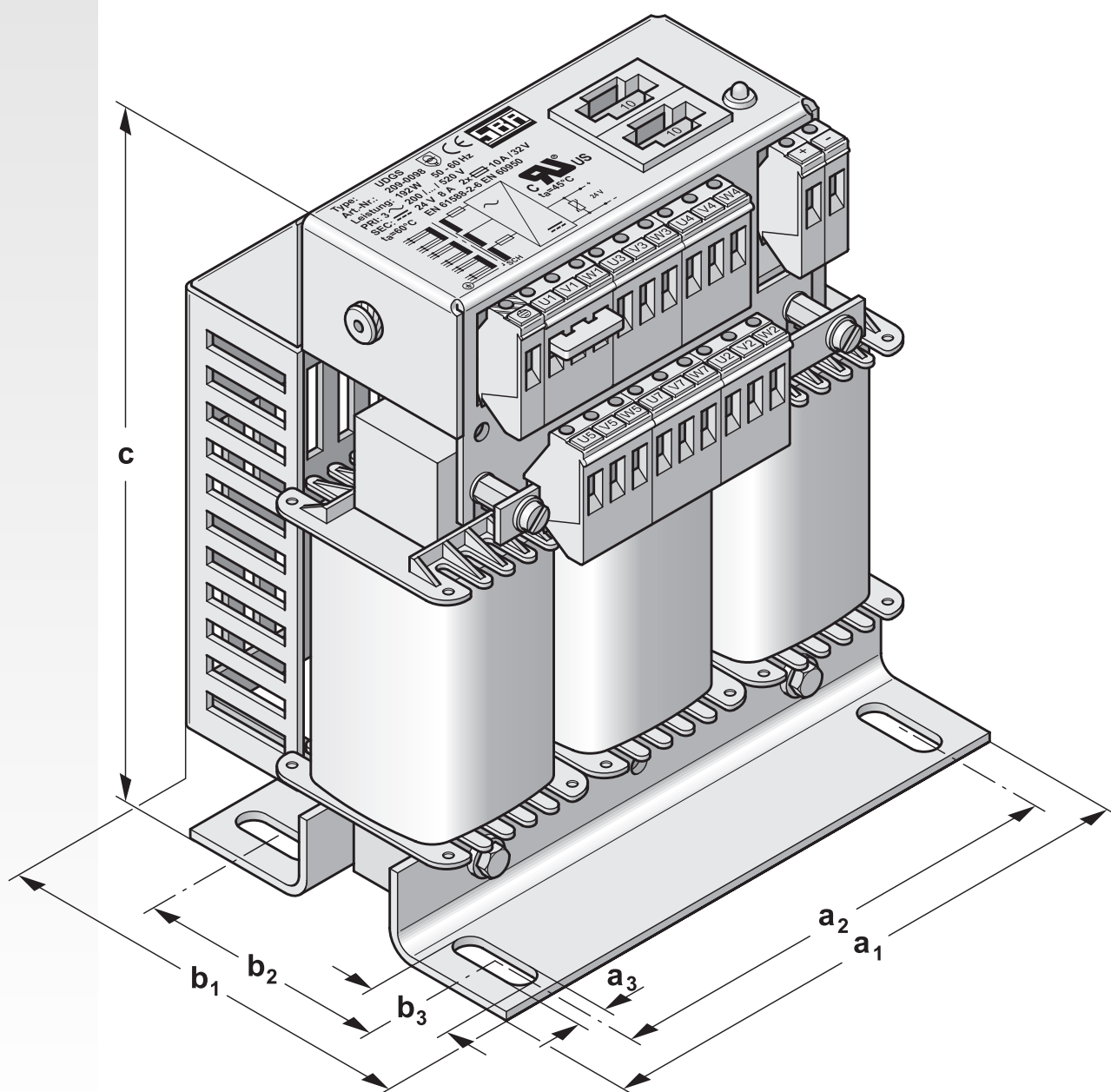


## Type UDGS

Universal DC power supplies for global use

### Application

For industrial application, e. g., for supplying control circuits in switchgear systems, distribution boards, machines, appliances, etc. with safety extra-low voltage (SELV). Suited in particular, as power supply of programmable logic controllers (PLC). Adapts to 20 different line-side supply voltages



# TYPE UDGS UNIVERSAL DC POWER SUPPLIES

**SAUS**  
With UL / cUL test label



## Construction

- ➔ Open construction (IP 00, incorporation up to max. IP 23)
- ➔ DC power supply to VDE 0570-2-6/ EN 61558-2-6, VDE 0805 (EN 60950), UL 1950 with built-in safety isolating transformer
- ➔ Line-side universal winding
- ➔ Resting on angular feet
- ➔ Connection to safe-to-touch screw clamping terminals with self-releasing clamp
- ➔ Output configuration: varistor and discharge resistance
- ➔ Output components covered safe-to-touch acc. to VDE 0106, part 100
- ➔ High-grade, tropicalized vacuum impregnations in black polyester impregnating resin
- ➔ Performance data with circuit diagram printed on product
- ➔ Products are overload and short circuit resistant due to integrated fuse links
- ➔ No additional fusing required if incorporated
- ➔ Output voltage indicated by green LED

## Specifications

Output range	192 W - 864 W
Input voltage	AC 3x200/208/220/230/ 240/255/265/280/290/ 300/360/380/400/415/ 420/440/460/480/500/ 520 V
Output voltage	SELV DC 24 V to EN 61131-2
Ripple factor (typ.)	4,2%
Frequency	50-60 Hz
Vector group	Yy0, <b>with shielding winding</b>
Protection class	I
Protection index	IP 00
Ambient temperature	<b>max. 60°C</b> max. 45°C (for UL)
Interference emission	EN 61000-6-4, (characteristic A)
Interference immunity	EN 61000-6-2

## Overview

Type	Article no.	Rated output current A	Fuse DIN 72581	No-load voltage V	Total weight appr. kg	a <sub>1</sub>	b <sub>1</sub>	Dimensions approx. mm				
						a <sub>2</sub>	b <sub>2</sub>	a <sub>3</sub>	b <sub>3</sub>	c		
UDGS 2408	209-0098	8	2 x 10 A (FKS)	26.2	4.5	155	129	130	69	8	24	175
UDGS 2415	211-0091	15	2 x 20 A (FKS)	26.0	7.7	190	141	170	70	8	24	203
UDGS 2425	212-0136	25	4 x 20 A (FKS)	25.9	11.5	190	161	170	90	8	24	203
UDGS 2436	215-0095	36	4 x 25 A (FKS)	25.9	16.0	280	158	260	71	10	18	245

The values in the table above are for the thermal steady state at 60°C ambient temperature.

Copyright © 2002-2007 SBA

**SBA-TrafoTech GmbH**  
Winkelleite 14  
91332 Heiligenstadt, Germany  
Telephone +49 (0)9198/8 09-19  
Facsimile +49 (0)9198/8 09-30  
[sales@sba.de](mailto:sales@sba.de)

**SBA-Trafobau Jena GmbH**  
Ilmstraße 18  
07743 Jena, Germany  
Telephone +49 (0)3641/4514-0  
Facsimile +49 (0)3641/4514-30  
[info@sba.de](mailto:info@sba.de)

Internet: [www.sba.de](http://www.sba.de)