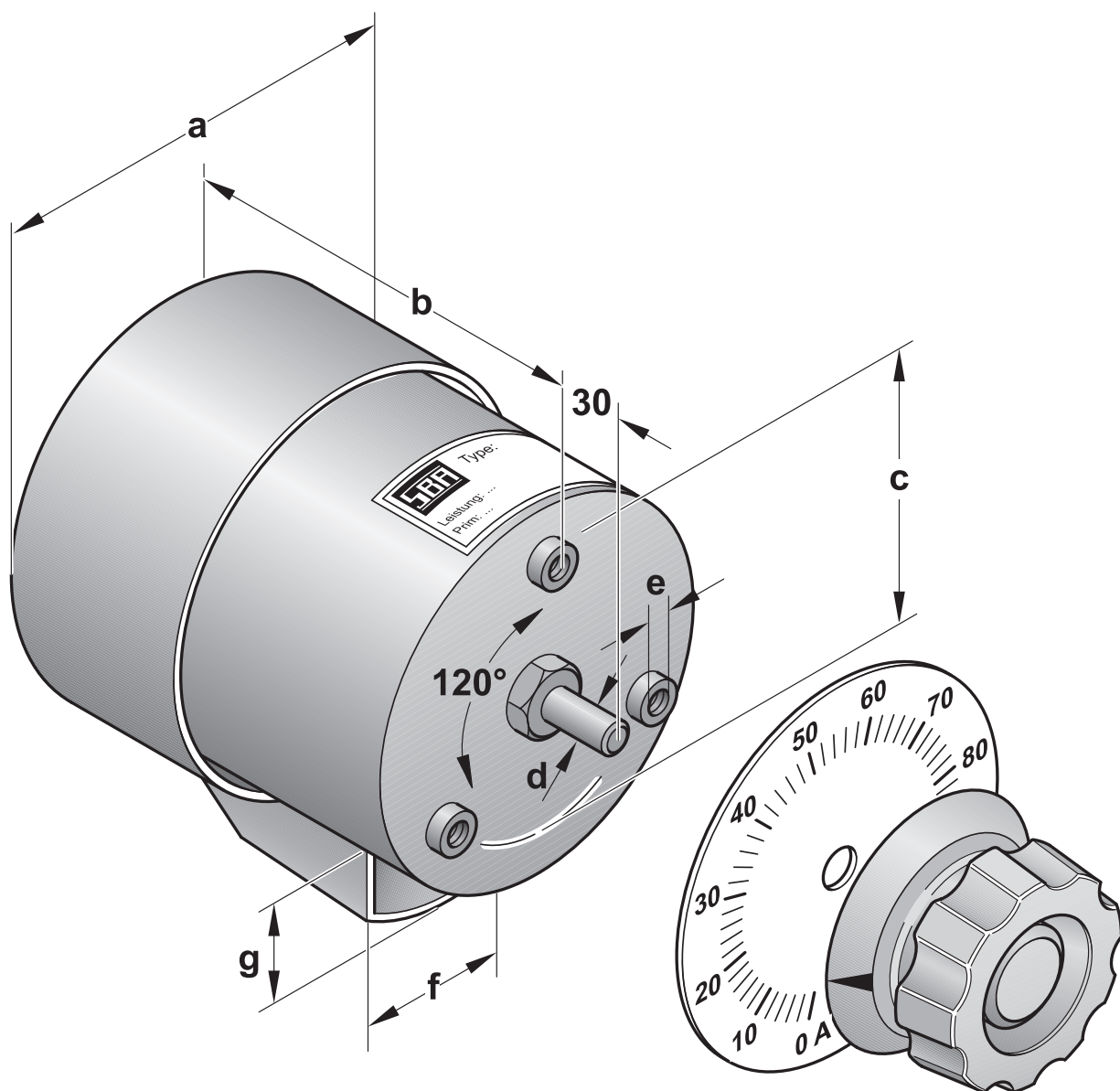


Type RST

Single-phase variable toroidal transformers to VDE 0552

Application

To supply power consumers of all kinds with variable alternating voltage.



TYP@ RST

SINGLE-PHASE VARIABLE TOROIDAL TRANSFORMERS



Construction

- ➔ Open construction (IP 00, incorporation up to max. IP 23)
- ➔ Autotransformer winding
- ➔ Three-point fixing
- ➔ Connection to solder / screw type terminals
- ➔ Connection to safe-to-touch terminals and other live parts
- ➔ Wear-resistant, heat, UV and solvent resistant nameplate

Specifications

Output range	184 VA - 1150 VA
Input voltage	230 V
Output voltage	0 - 230 V
Frequency	50 - 400 Hz
Vector group	Ia0
Protection index	IP 00
Insulation class	E
Ambient temperature	max. 40° C

Overview

Type	Article no.	Rated output VA (DB)	rated current A	Total weight appr. kg	Copper weight kg	a	b	Dimensions c approx. mm	d	e
RST 230/0.8	700-0000	184	0.8	1.2	0.04	95	75	26	6	M 4
RST 230/1.0	700-0001	230	1.0	1.3	0.05	95	80	26	6	M 4
RST 230/1.25	700-0002	288	1.25	1.5	0.07	95	90	26	6	M 4
RST 230/1.6	700-0003	368	1.6	1.7	0.09	95	100	26	6	M 4
RST 230/2.0	700-0004	460	2.0	2.2	0.16	115	80	26	6	M 4
RST 230/2.5	700-0005	575	2.5	2.6	0.25	115	90	26	6	M 4
RST 230/3.2	700-0006	736	3.2	3.0	0.30	115	100	26	6	M 4
RST 230/4.0	700-0007	920	4.0	3.4	0.36	115	120	80	6	M 6
RST 230/5.0	700-0008	1150	5.0	4.0	0.37	144	116	80	6	M 6

The values in the table above are for the thermal steady state at 40°C ambient temperature.

Copyright © 2002-2007 SBA

SBA-TrafoTech GmbH
Winkelleite 14
91332 Heiligenstadt, Germany
Telephone +49 (0)9198/8 09-19
Facsimile +49 (0)9198/8 09-30
sales@sba.de

SBA-Trafobau Jena GmbH
Ilmstraße 18
07743 Jena, Germany
Telephone +49 (0)3641/4514-0
Facsimile +49 (0)3641/4514-30
info@sba.de

Internet: www.sba.de