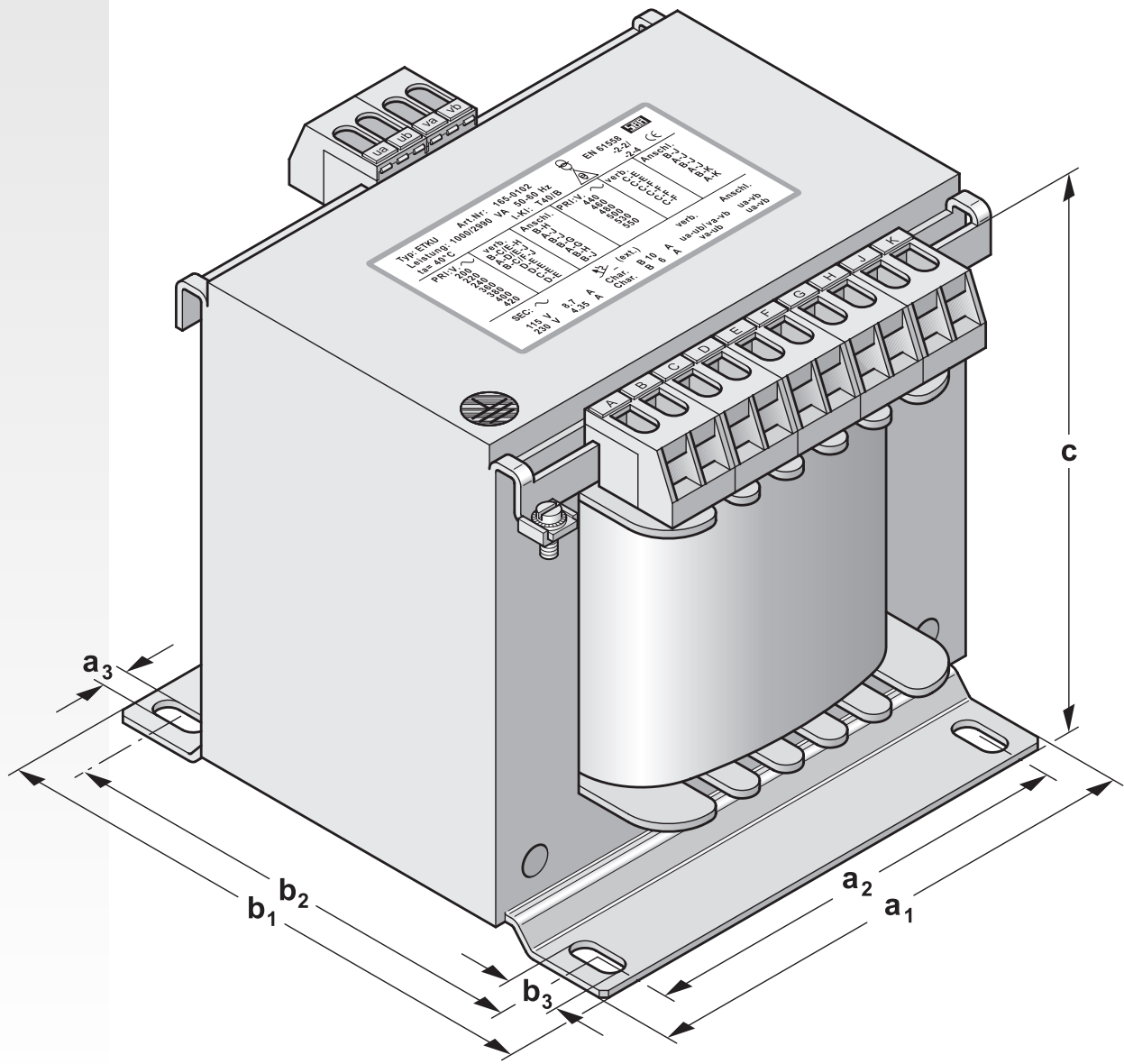


Type ETKU

Universal control transformers to VDE 0570-2-2 / EN 61558-2-2
Single-phase isolating transformers to VDE 0570-2-4 / EN 61558-2-4

Application

Isolating transformers for general application, e.g., as associated transformers to VDE 0700, 0750, 0805.
 Transformers supplying control circuits in switchgear systems, distribution boards, machines, etc. to VDE 0113.
 Adapts to 13 different line-side supply voltages



UNIVERSAL CONTROL TRANSFORMERS



Construction

- ➔ Open construction (IP 00, incorporation up to max. IP 23)
- ➔ Separated windings by **double/extra strong** insulation (safe separation)
- ➔ Line-side variable tapping
- ➔ Connection to safe-to-touch screw clamping terminals in accordance with VBG 4 with self-releasing clamp (additional clamp type terminal on request)
- ➔ High-grade, tropicalized vacuum impregnations in black polyester impregnating resin
- ➔ Wear-resistant, heat, UV and solvent resistant nameplate

Specifications

Output range	160 VA - 1000 VA
Input voltage	200/220/240/360/380/ 400/420/440/460/480/ 500/530/550 V
Output voltage	2 x 115 V for optional series or parallel connection
Output current	max. 8,7 A
Frequency	50-60 Hz
Vector group	Ilii0
Protection class	I
Protection index	IP 00
Insulation class	B
Ambient temperature max.	max. 40° C

Overview

Art. no.	Rated output cos φ = 1 VA (DB)	Short-time rating cos φ = 0,5 VA	Total weight appr. kg	Copper weight kg	a ₁	b ₁	a ₂	Dimensions b ₂ approx. mm	a ₃	b ₃	c
155-0098	160	390	2.3	0.52	96	81	84	64	5.8	9	96
156-0105	200	520	2.8	0.65	96	89	84	73	5.8	9	96
157-0047	250	685	3.6	0.72	96	103	84	87	5.8	9	96
160-0098	320	870	4.2	1.05	120	93	90	74	5.8	12	111
161-0102	400	1250	5.2	1.15	120	101	90	85	5.8	12	111
162-0154	500	1600	6.6	1.40	120	121	90	104	5.8	12	111
163-0086	630	1820	7.7	2.00	150	113	122	90	7	15	132
164-0043	800	2570	9.9	2.35	150	130	122	106	7	15	132
165-0102	1000	3650	13.1	2.50	150	155	122	133	7	15	132

The values in the table above are for the thermal steady state at 40°C ambient temperature.

Copyright © 2002-2007 SBA

SBA-TrafoTech GmbH
Winkelleite 14
91332 Heiligenstadt, Germany
Telephone +49 (0)9198/8 09-19
Facsimile +49 (0)9198/8 09-30
sales@sba.de

SBA-Trafobau Jena GmbH
Ilmstraße 18
07743 Jena, Germany
Telephone +49 (0)3641/4514-0
Facsimile +49 (0)3641/4514-30
info@sba.de

Internet: www.sba.de