

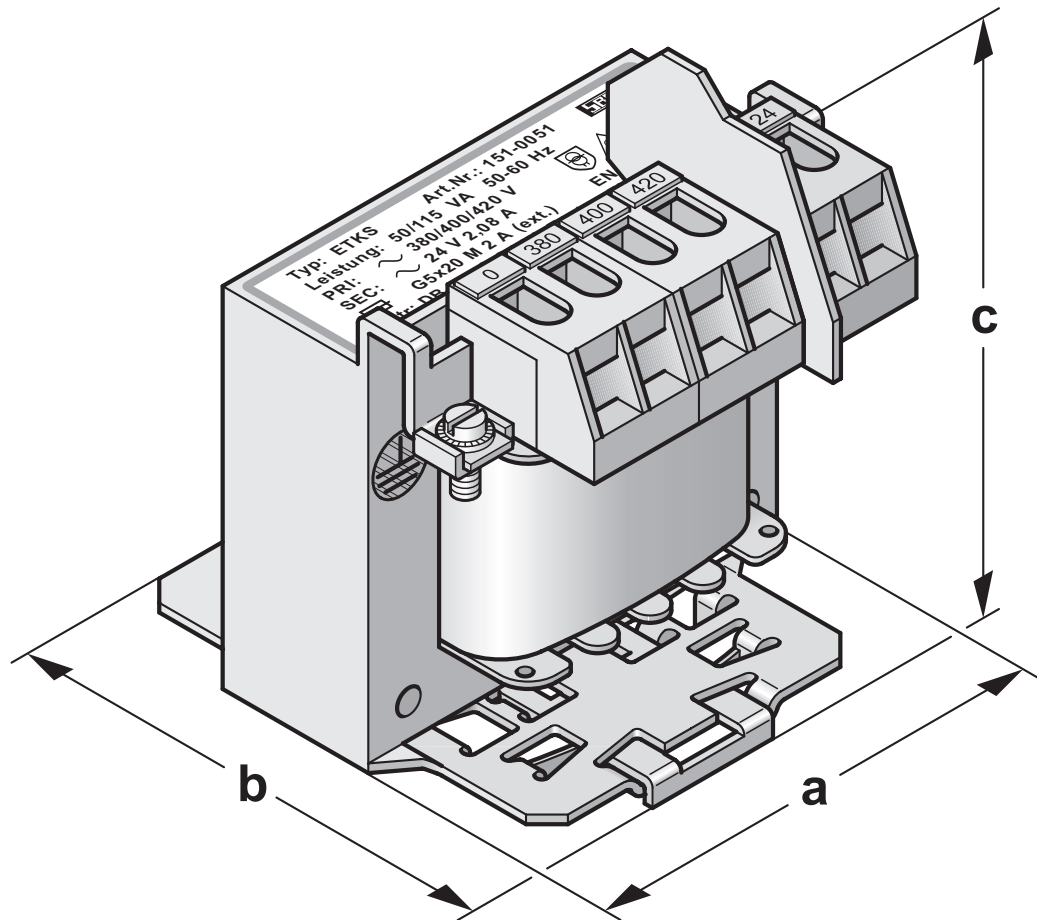
Type ETKS

**Single-phase control transformers to VDE 0570-2-2 / EN 61558-2-2
 additionally built as isolating transformers to VDE 0570-2-4 / EN 61558-2-4
 or safety isolating transformers to VDE 0570-2-6 / EN 61558-2-6
 for DIN rail TS 35 (DIN EN 50022)**

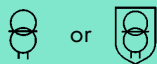
Application

Isolating or safety isolating transformers for general application, e.g., as associated transformers to VDE 0700, 0750, 0805.

Control transformers supplying control circuits in switchgear systems, distribution boards, machines, etc. to VDE 0113 / EN 60204.



Copyright © 2002-2007 SBA



available ex stock
 380/400/420//230 Volt
 380/400/420// 24 Volt
 220/230/240//230 Volt
 220/230/240// 24 Volt

Recommended fuses
 see page 62

TYP E TKS

SINGLE-PHASE CONTROL TRANSFORMERS



Construction

- ➔ Open construction (IP 00, incorporation up to max. IP 23)
- ➔ Separated windings by **double/extra strong** insulation (safe separation)
- ➔ Line-side variable tapping
- ➔ Required space acc. to DIN 41308
- ➔ Connection to safe-to-touch screw clamping terminals in accordance with VBG 4 with self-releasing clamp (additional clamp type terminal on request)
- ➔ High-grade, tropicalized vacuum impregnations in black polyester impregnating resin
- ➔ Wear-resistant, heat, UV and solvent resistant nameplate

Specifications

Output range	50 VA - 200 VA
Input voltage	230 V or 400 V
Output voltage	230 V or 24 V
Frequency	50-60 Hz
Vector group	Ii0
Protection class	I
Protection index	IP 00
Insulation class	B
Ambient temperature	max. 40° C
Other voltages on request	

Overview

380/400/420 230V	380/400/420 24V	220/230/240 230V	220/230/240 24V	Rated output cos φ = 1 VA (DB)	Short-time rating cos φ = 0,5 VA	Total weight appr. kg	Copper weight kg	Dimensions a b c approx. mm		
Art. no.	Art. no.	Art. no.	Art. no.							
151-0050	151-0051	151-0136	151-0052	50	115	1.3	0.25	78	61	80
152-0025	152-0026	152-0067	152-0027	63	155	1.6	0.28	78	71	80
153-0081	153-0082	153-0179	153-0083	100	215	1.7	0.35	84	91	86
154-0096	154-0097	154-0186	154-0098	125	290	2.1	0.40	84	77	86
155-0105	155-0106	155-0237	155-0107	160	390	2.4	0.52	96	91	96
156-0109	156-0110	156-0174	156-0111	200	515	2.9	0.65	96	89	96

The values in the table above are for the thermal steady state at 40°C ambient temperature.

Copyright © 2002-2007 SBA

SBA-TrafoTech GmbH

Winkelleite 14
91332 Heiligenstadt, Germany
Telephone +49 (0)9198/8 09-19
Facsimile +49 (0)9198/8 09-30
sales@sba.de

SBA-Trafobau Jena GmbH

Ilmstraße 18
07743 Jena, Germany
Telephone +49 (0)3641/4514-0
Facsimile +49 (0)3641/4514-30
info@sba.de

Internet: www.sba.de