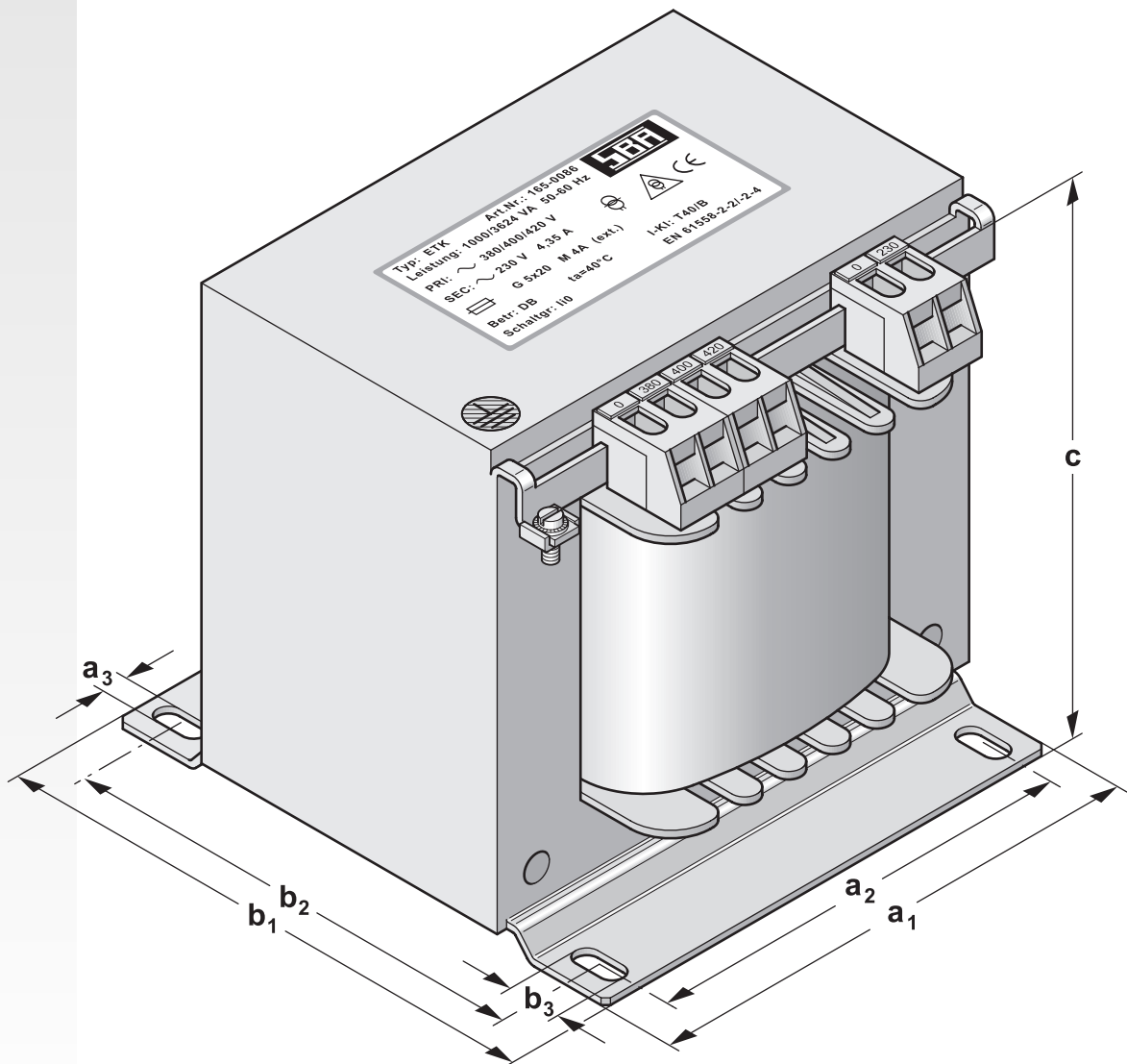


Type ETK

**Single-phase control transformers to VDE 0570-2-2 / EN 61558-2-2
 additionally built as isolating transformers to VDE 0570-2-4 / EN 61558-2-4
 or safety isolating transformers to VDE 0570-2-6 / EN 61558-2-6**

Application

Isolating or safety isolating transformers for general application, e.g., as associated transformers to VDE 0700, 0750, 0805.
 Control transformers supplying control circuits in switchgear systems, distribution boards, machines, etc. to VDE 0113 / EN 60204.



SINGLE-PHASE CONTROL TRANSFORMERS



Construction

- ➔ Open construction (IP 00, incorporation up to max. IP 23)
- ➔ Separated windings by **double/extra strong** insulation (safe separation)
- ➔ Line-side variable tapping
- ➔ Required space acc. to DIN 41308
- ➔ Connection to safe-to-touch screw clamping terminals in accordance with VBG 4 with self-releasing clamp (additional clamp type terminal on request)
- ➔ High-grade, tropicalized vacuum impregnations in black polyester impregnating resin
- ➔ Wear-resistant, heat, UV and solvent resistant nameplate

Specifications

Output range	50 VA - 2500 VA
Input voltage	230 V or 400 V
Output voltage	230 V or 24 V
Frequency	50-60 Hz
Vector group	li0
Protection class	I
Protection index	IP 00
Insulation class	B
Ambient temperature	max. 40° C
Other voltages on request	

Overview

380/400/420 230V	380/400/420 24V	220/230/240 230V	220/230/240 24V	Rated output cos φ = 1 VA (DB)	Short-time rating cos φ = 0,5 VA	Total weight appr. kg	Copper weight kg	a ₁	b ₁	Dimensions a ₂ b ₂ a ₃ b ₃ c appr. mm				
Art. no.	Art. no.	Art. no.	Art. no.											
151-0005	151-0004	151-0015	151-0001	50	115	1.2	0.25	78	61	56	49	4.8	8	80
152-0002	152-0003	152-0007	152-0004	63	155	1.5	0.28	78	71	56	58	4.8	8	80
153-0003	153-0013	153-0009	153-0004	100	215	1.6	0.35	84	64	64	50	4.8	8	86
154-0040	154-0050	154-0046	154-0041	125	290	2.0	0.40	84	77	64	64	4.8	8	86
155-0033	155-0041	155-0037	155-0034	160	390	2.3	0.52	96	81	84	64	5.8	9	96
156-0043	156-0054	156-0050	156-0044	200	515	2.8	0.65	96	89	84	73	5.8	9	96
157-0027	157-0037	157-0033	157-0028	250	680	3.6	0.72	96	103	84	87	5.8	9	96
160-0057	160-0065	160-0061	160-0058	320	825	4.2	1.05	120	93	90	74	5.8	12	111
161-0057	161-0065	161-0061	161-0058	400	1130	5.2	1.15	120	101	90	85	5.8	12	111
162-0056	162-0064	162-0060	162-0057	500	1540	6.6	1.40	120	121	90	104	5.8	12	111
163-0068	163-0078	163-0074	163-0069	630	1790	7.7	2.00	150	113	122	90	7.0	15	132
164-0031	164-0039	164-0035	164-0032	800	2500	9.9	2.35	150	130	122	106	7.0	15	132
165-0086	165-0094	165-0090	165-0087	1000	3520	13.1	2.50	150	155	122	133	7.0	15	132
166-0001				1250	2990	13.7	3.80	174	127	135	102	7.0	15	148
167-0001				1600	4260	17.2	4.20	174	147	135	122	7.0	15	148
168-0001				2000	5740	20.5	4.50	174	167	135	142	7.0	15	148
169-0001				2500	7900	26.0	5.50	192	190	155	154	11	18	170

The values in the table above are for the thermal steady state at 40°C ambient temperature.

Copyright © 2002-2007 SBA

SBA-TrafoTech GmbH
Winkelleite 14
91332 Heiligenstadt, Germany
Telephone +49 (0)9198/8 09-19
Facsimile +49 (0)9198/8 09-30
sales@sba.de

SBA-Trafobau Jena GmbH
Ilmstraße 18
07743 Jena, Germany
Telephone +49 (0)3641/4514-0
Facsimile +49 (0)3641/4514-30
info@sba.de

Internet: www.sba.de