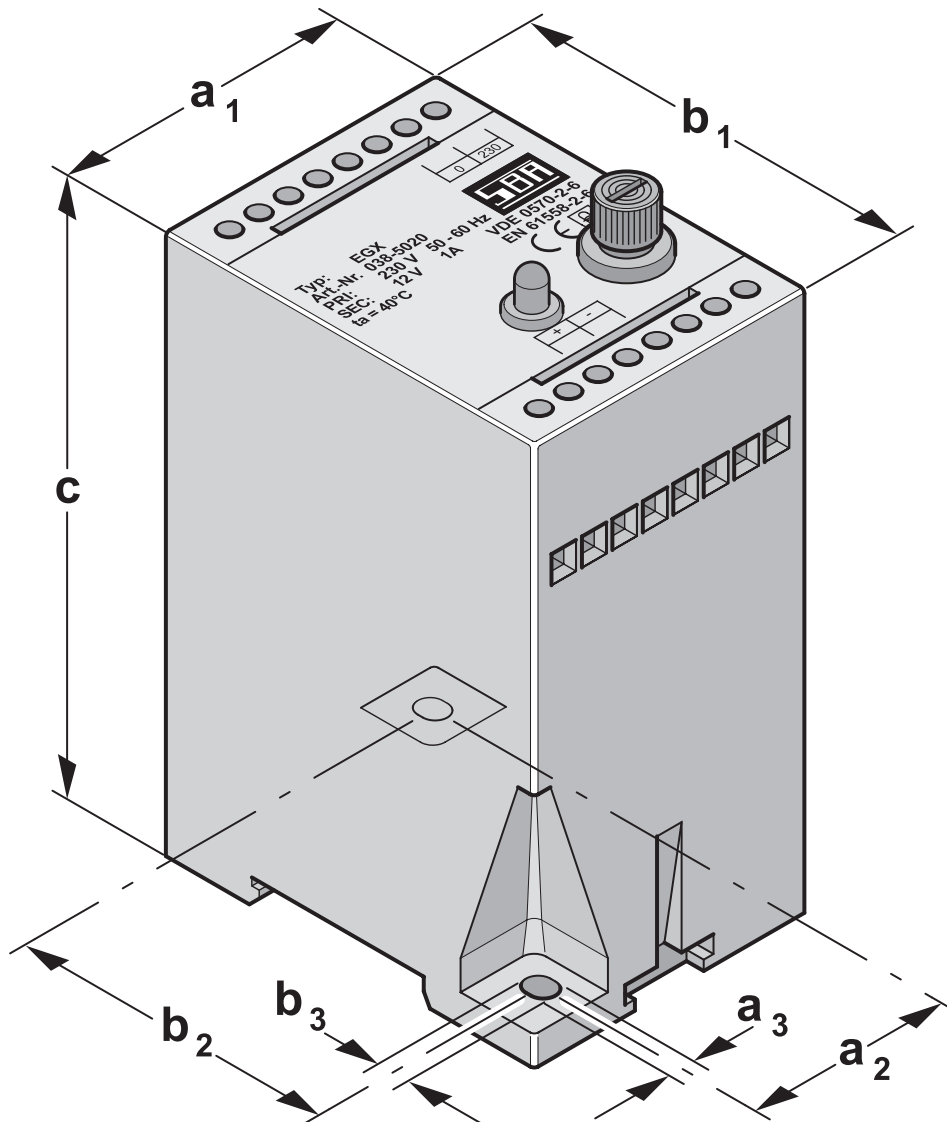


## Type EGX

DC power supplies in plastic housing to VDE 0570-2-6/EN 61558-2-6

### Application

As DC power supply for general applications, e. g., as associated transformer, for supplying control circuits in switchgear systems, distribution boards, machines, etc. with safety extra-low voltage (SELV). Suited in particular, as power supply of programmable logic controllers (PLC).





## Construction

- ➔ Compact construction in black plastic housing (IP 20)
- ➔ The products comply with EN 61558-2-6
- ➔ Separated windings by **double/extra strong** insulation (safe separation)
- ➔ For DIN rail TS 35 (DIN EN 50022)
- ➔ Connection to screw clamping terminals in accordance with VBG 4 with self-releasing clamp
- ➔ Output configuration: filter capacitor (105 °C) and discharge resistance
- ➔ Performance data printed on product
- ➔ Products are overload and short circuit resistant due to integrated fuse links
- ➔ **No additional fusing required if incorporated**
- ➔ Output voltage indicated by green LED

## Specifications

Input voltage	230 V
Frequency	50-60 Hz
Output range	12 W - 60 W
Output voltage	SELV DC 12 V or 24 V to EN 61131-2
Output current	0,5 - 2,5 A (DC)
Ripple factor (typ.)	< 5 %
Vector group	Ii0
Protection class	II
Protection index	IP 20
Ambient temperature	<b>max. 40 ° C</b>
Interference emission	EN 61000-6 -3/-4, (class B)
Interference immunity	EN 61000-6 -1/-2

## Overview

Type	Article no.	Output		Fuse (IEC127-2)	Total weight appr. kg	a <sub>1</sub>	b <sub>1</sub>	a <sub>2</sub>	Dimensions approx. mm			c*
		V (DC)	A (DC)						b <sub>2</sub>	a <sub>3</sub>	b <sub>3</sub>	
EGX 1201	038-5020	12	1.0	2.00 A (5x20 mm)	0.8	55	75	38	61.5	4.5	6.0	110
EGX 1202	038-5021	12	2.0	3.15 A (5x20 mm)	0.8	55	75	38	61.5	4.5	6.0	110
EGX 2400,5	038-5019	24	0.5	1.00 A (5x20 mm)	0.8	55	75	38	61.5	4.5	6.0	110
EGX 2401	040-5049	24	1.0	2.00 A (5x20 mm)	1.4	100	75	85	61.5	4.5	6.0	110
EGX 2402,5	042-5038	24	2.5	5.00 A (5x20 mm)	1.8	100	75	85	61.5	4.5	6.0	110

The values in the table above are for the thermal steady state at 40 °C ambient temperature.  
(\*The dimension is approx. 12 mm more due to the fuse holder.)

Copyright © 2002-2007 SBA

**SBA-TrafoTech GmbH**  
Winkelleite 14  
91332 Heiligenstadt, Germany  
Telephone +49 (0)9198/8 09-19  
Facsimile +49 (0)9198/8 09-30  
[sales@sba.de](mailto:sales@sba.de)

**SBA-Trafobau Jena GmbH**  
Ilmstraße 18  
07743 Jena, Germany  
Telephone +49 (0)3641/4514-0  
Facsimile +49 (0)3641/4514-30  
[info@sba.de](mailto:info@sba.de)

Internet: [www.sba.de](http://www.sba.de)