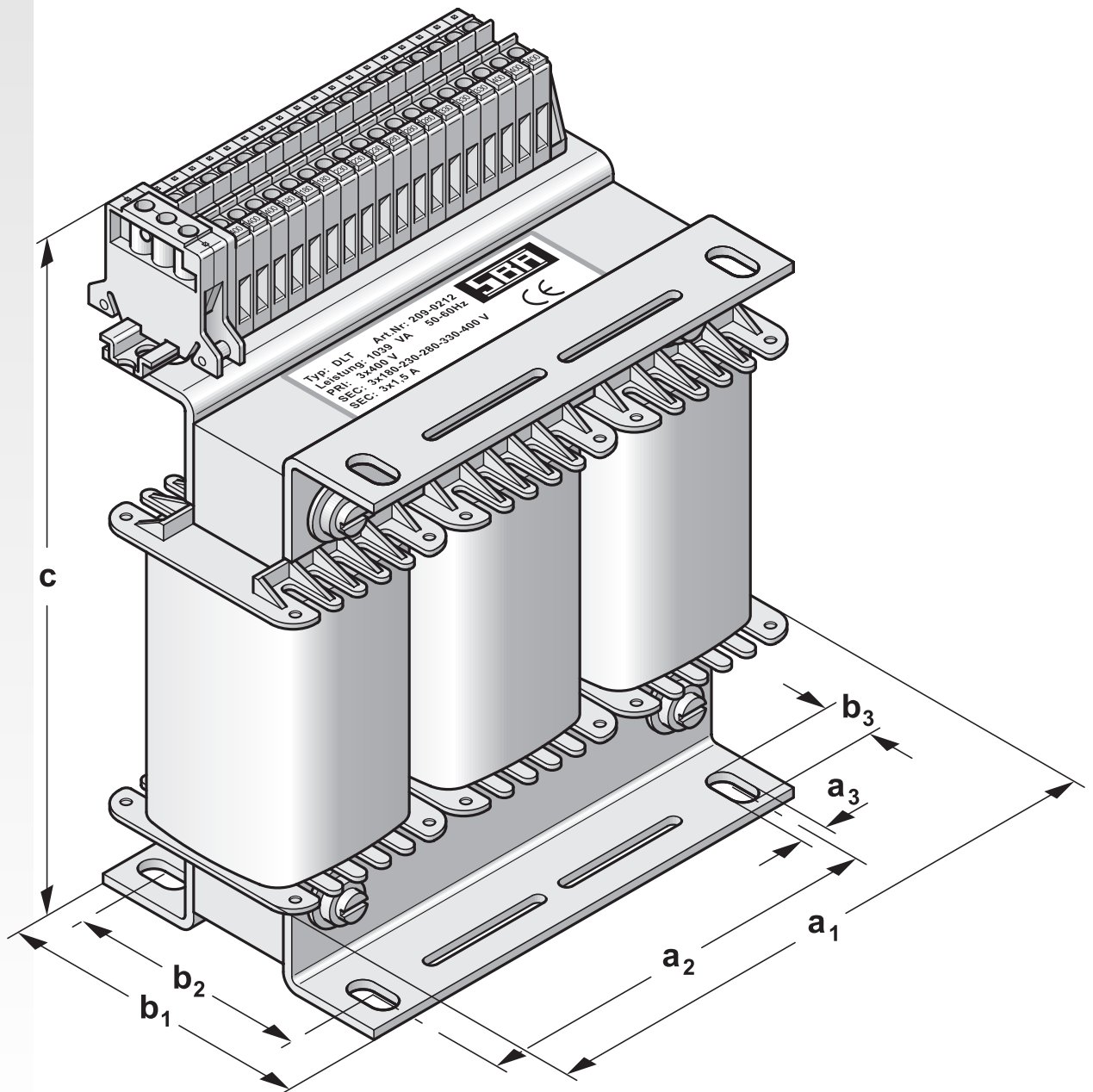


Type DLT

Three-phase fan transformers to VDE 0570-2-13 / EN 61558-2-13

Application

For speed control of fan motors by supplying stepped output voltage.
Suitable for continuous operation.



TYPE DLT

THREE-PHASE FAN TRANSFORMERS



Construction

- ➔ Open construction (IP 00, incorporation up to max. IP 23)
- ➔ Standing on angular feet (DIN 41307)
- ➔ Connection to safe-to-touch screw clamping terminals in accordance with VBG 4 with self-releasing clamp
- ➔ High-grade, tropicalized vacuum impregnations in black polyester impregnating resin
- ➔ Wear-resistant, heat, UV and solvent resistant nameplate

Specifications

Output range	1040 VA - 16630 VA
Input voltage	3 x 400 V
Output voltage	3 x 180/.../400 V (5 steps)
Rated current	max. 24 A
Frequency	50-60 Hz
Vector group	Ya0
Protection class	I
Protection index	IP 00
Insulation class	B
Ambient temperature	max. 40° C

Overview

Input: 3 x 400 V

Output: 3 x 180/230/280/330/400 V

Article no.	Output current A	Total weight appr. kg	Copper weight kg	a ₁	b ₁	a ₂	Dimensions b ₂ approx. mm	a ₃	b ₃	c
209-0212	1.5	5.0	1.4	150	101	106	61	7	13	172
210-0157	2.5	6.0	1.8	150	116	106	76	7	13	172
212-0290	5.0	12.0	3.8	180	126	106	86	7	13	188
215-0219	7.5	16.0	5.0	228	110	176	71	7	13	257
216-0158	10.0	20.0	6.0	228	134	176	95	7	13	257
221-0163	12.5	23.0	6.8	264	136	200	76	10	18	294
222-0224	15.0	26.0	8.7	264	162	200	102	10	18	294
223-0222	20.0	33.0	13.5	300	152	224	94	10	18	328
224-0337	24.0	36.0	14.5	300	177	224	119	10	18	328

The values in the table above are for the thermal steady state at 40°C ambient temperature.

Copyright © 2002-2007 SBA

SBA-TrafoTech GmbH
Winkelleite 14
91332 Heiligenstadt, Germany
Telephone +49 (0)9198/8 09-19
Facsimile +49 (0)9198/8 09-30
sales@sba.de

SBA-Trafobau Jena GmbH
Ilmstraße 18
07743 Jena, Germany
Telephone +49 (0)3641/4514-0
Facsimile +49 (0)3641/4514-30
info@sba.de

Internet: www.sba.de