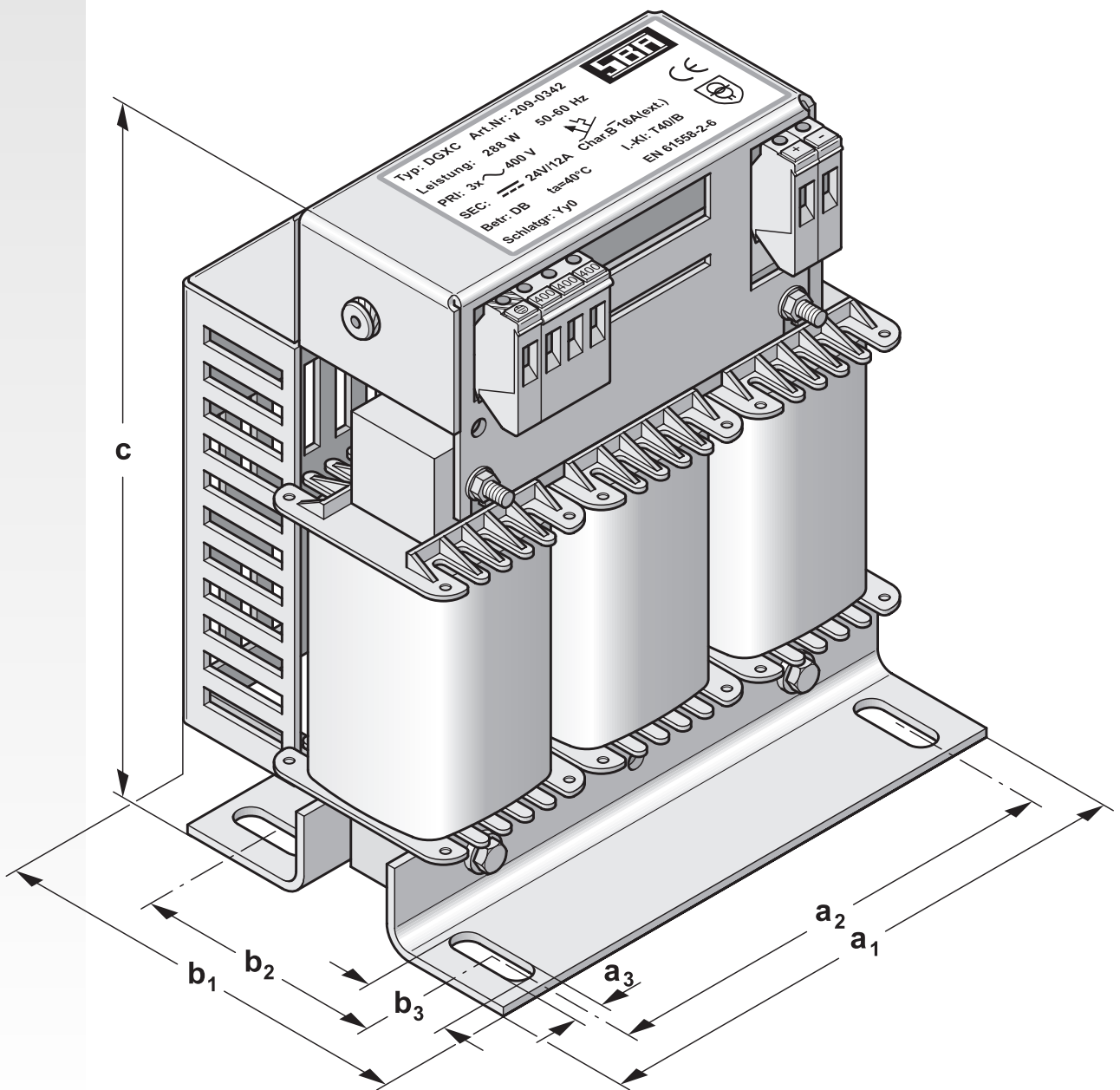


Type DGXC

DC power supplies to VDE 0570-2-6/EN 61558-2-6

Application

For general application, e. g., for supplying control circuits in switchgear systems, distribution boards, machines, appliances, etc. with safety extra-low voltage (SELV).





Construction

- ➔ Open construction (IP 00, incorporation up to max. IP 23)
- ➔ The products comply with EN 61558-2-6
- ➔ Separated windings by **double/extra strong** insulation (safe separation)
- ➔ Resting on angular feet
- ➔ Connection to safe-to-touch screw clamping terminals with self-releasing clamp
- ➔ Output configuration: varistor, filter capacitor (105° C), and discharge resistance
- ➔ **Output components covered safe-to-touch acc. to VDE 0106, part 100**
- ➔ High-grade, tropicalized vacuum impregnations in black polyester impregnating resin
- ➔ Wear-resistant, heat, UV and solvent resistant nameplate

Specifications

Output range	288 W - 960 W
Input voltage	AC 3 x 400 V
Frequency	50-60 Hz
Output voltage	SELV DC 24 V
Ripple factor (typ.)	max. 2 %
Vector group	Yy0, with shielding winding
Protection class	I
Protection index	IP 00
Ambient temperature	max. 40 ° C
Interference emission	EN 61000-6 -3/-4, (class B)
Interference immunity	EN 61000-6 -1/-2

Overview

Type	Article no.	Rated output current A	No-load voltage V	Total weight appr. kg	a ₁	b ₁	a ₂	Dimensions b ₂ approx. mm	a ₃	b ₃	c
DGXC 2412	209-0342	12	27.7	4.4	155	129	130	69	8	24	175
DGXC 2418	211-0358	18	27.5	7.6	190	141	170	70	8	24	203
DGXC 2430	212-0520	30	27.3	11.4	190	161	170	90	8	24	203
DGXC 2440	215-0445	40	27.3	15.8	280	158	260	71	10	18	245

The values in the table above are for the thermal steady state at 40 °C ambient temperature.

Copyright © 2002-2007 SBA

SBA-TrafoTech GmbH
Winkelleite 14
91332 Heiligenstadt, Germany
Telephone +49 (0)9198/8 09-19
Facsimile +49 (0)9198/8 09-30
sales@sba.de

SBA-Trafobau Jena GmbH
Ilmstraße 18
07743 Jena, Germany
Telephone +49 (0)3641/4514-0
Facsimile +49 (0)3641/4514-30
info@sba.de

Internet: www.sba.de