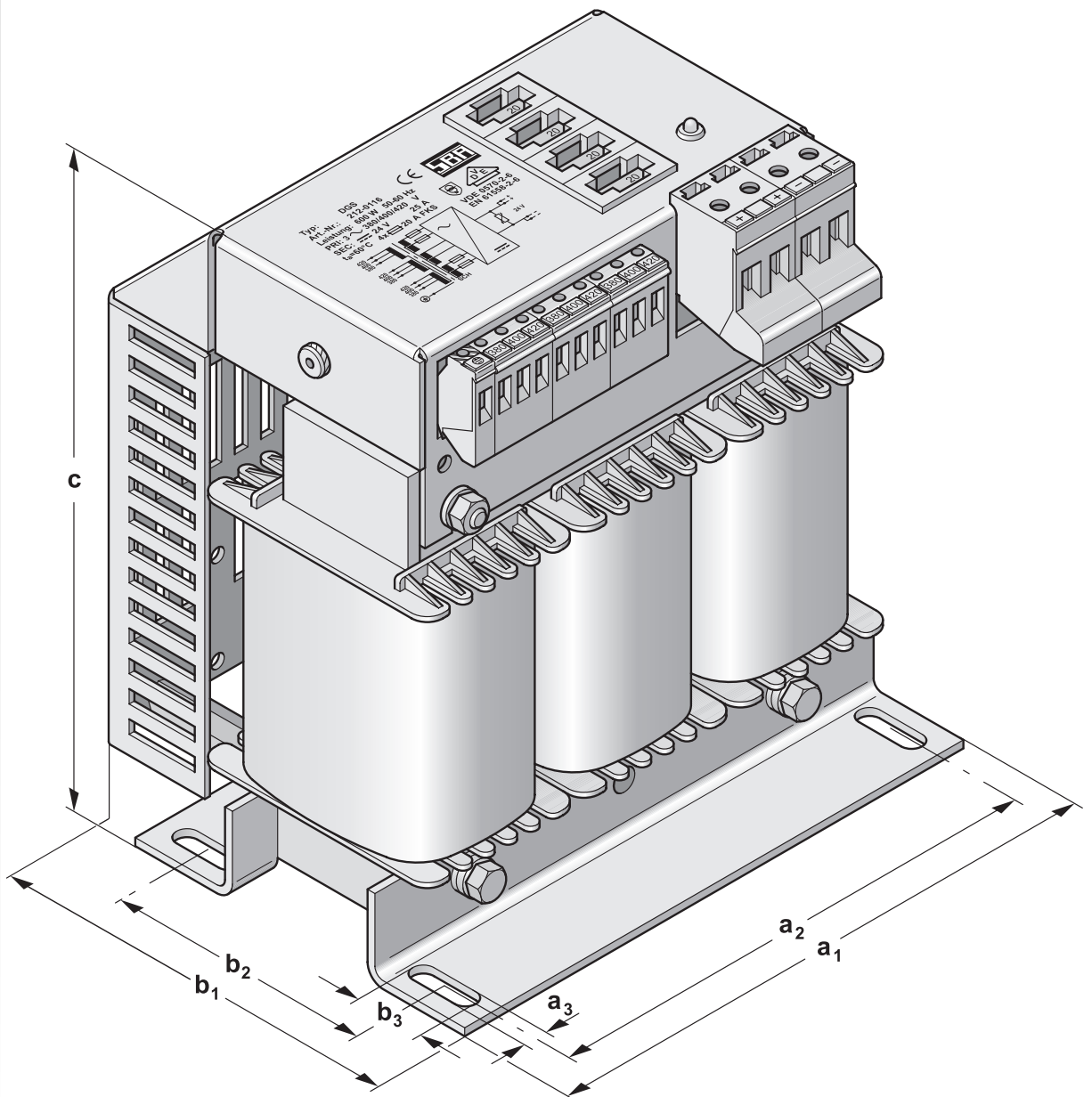


Type DGS

DC power supplies to VDE 0570-2-6/EN 61558-2-6

Application

For industrial application, e. g., for supplying control circuits in switchgear systems, distribution boards, machines, appliances, etc. with safety extra-low voltage (SELV). Suited in particular, as power supply of programmable logic controllers (PLC).





with VDE test label!



Construction

- ➔ Open construction (IP 00, incorporation up to max. IP 23)
- ➔ DC power supply to **VDE 0570-2-6/ EN 61558-2-6** with built-in safety isolating transformer
- ➔ Line-side variable tapping
- ➔ Resting on angular feet
- ➔ Connection to safe-to-touch screw clamping terminals with self-releasing clamp
- ➔ Output configuration: varistor and discharge resistance
- ➔ **Output components covered safe-to-touch**
acc. to VDE 0106, part 100
- ➔ High-grade, tropicalized vacuum impregnations in black polyester impregnating resin
- ➔ Performance data with circuit diagram printed on product
- ➔ Products are **overload and short circuit resistant** due to integrated fuse links
- ➔ **No additional fusing required if incorporated**
- ➔ Output voltage indicated by green LED

Specifications

Output range	240 W - 1320 W
Input voltage	AC 3 x 380/400/420 V
Output voltage	SELV DC 24 V to EN 61131-2
Ripple factor (typ.)	4,2 %
Frequency	50-60 Hz
Vector group	Yy0 with shielding winding
Protection class	I
Protection index	IP 00
Ambient temperature	max. 60 ° C
Interference emission	EN 61000-6-4, (curve A)
Interference immunity	EN 61000-6-2

Overview

Type	Article no.	Rated output current A	Fuse DIN 75 581 A	No-load voltage V	Total weight appr. kg	a ₁	b ₁	Dimensions approx. mm				
								a ₂	b ₂	a ₃	b ₃	c
DGS 2410	209-0074	10	2 x 15 A (FKS)	26.2	4.4	155	129	130	69	8	24	175
DGS 2415	211-0056	15	2 x 20 A (FKS)	26.0	7.6	190	141	170	70	8	24	203
DGS 2425	212-0116	25	4 x 20 A (FKS)	25.9	11.4	190	161	170	90	8	24	203
DGS 2436*	215-0074	36	4 x 25 A (FKS)	25.9	15.8	280	158	260	71	10	18	245
DGS 2455*	221-0093	55	ohne	25.8	23.0	320	220	300	76	10	18	275

The values in the table above are for the thermal steady state at 60 °C ambient temperature.

* without VDE test label

Copyright © 2002-2007 SBA

SBA-TrafoTech GmbH
Winkelleite 14
91332 Heiligenstadt, Germany
Telephone +49 (0)9198/8 09-19
Facsimile +49 (0)9198/8 09-30
sales@sba.de

SBA-Trafobau Jena GmbH
Ilmstraße 18
07743 Jena, Germany
Telephone +49 (0)3641/4514-0
Facsimile +49 (0)3641/4514-30
info@sba.de

Internet: www.sba.de