

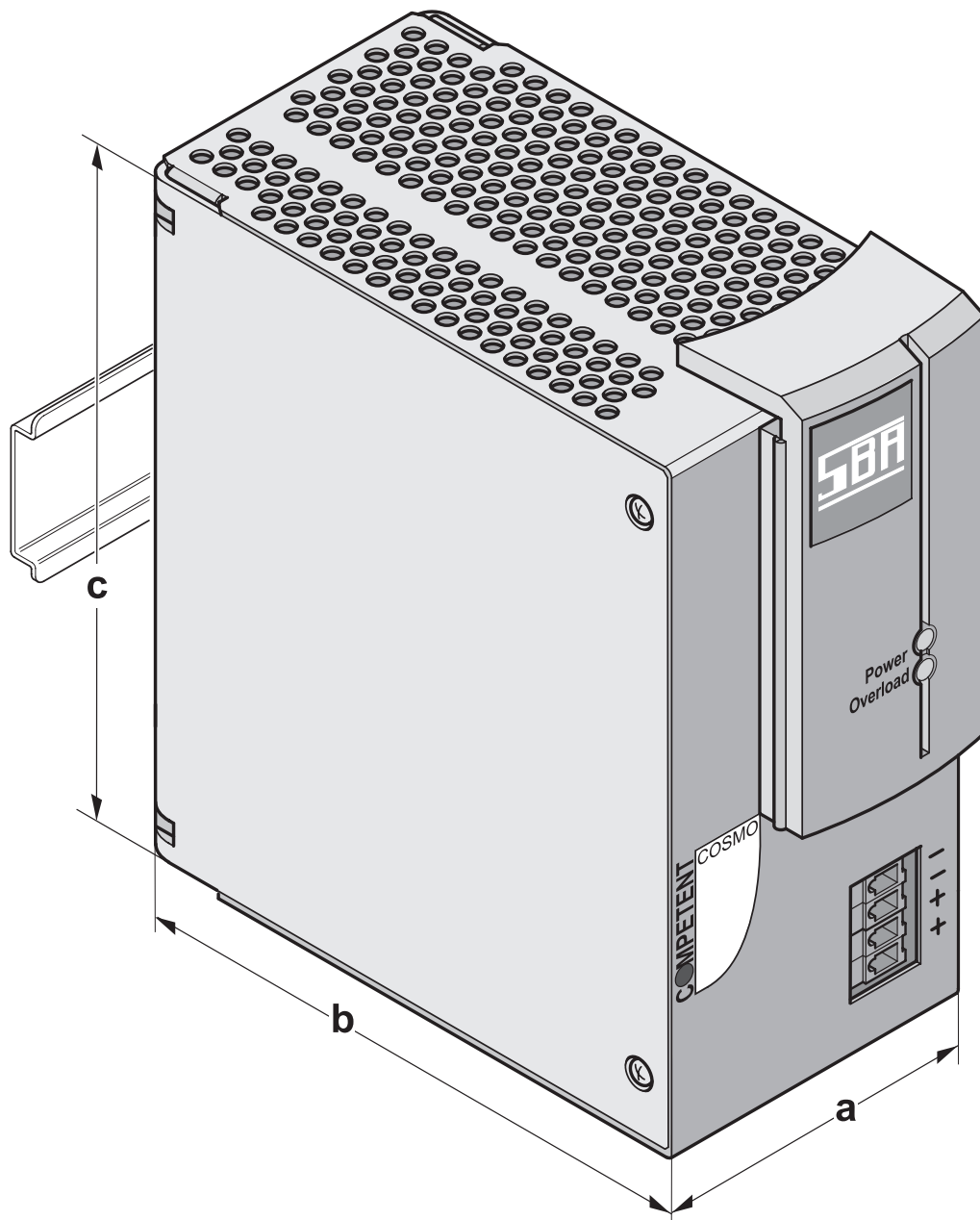
## Type DGPT

Cosmo

**Stabilized DC power supplies primary switch mode  
(slim shape)**

### Application

Control circuits, switchgear equipment, PLCs, etc. are supplied safely by these DC power supplies even under adverse conditions. Two power supplies with the same rated current and output voltage can be connected. Floating operation with battery at half the rated current and thus uninterruptible power supply is also possible. A very good power density (weight ratio) is obtained (small size, low weight).



Copyright © 2002-2007 SBA

# TYPE DGPT

## DC POWER SUPPLIES THREE-PHASE

**CAUS**  
With UL/cUL test label



### Construction

- ➔ For DIN rail TS 35 (DIN EN 50022)
- ➔ Permanently resistant to short circuit and permanently stable at no load
- ➔ High efficiency
- ➔ Status indicator (LED)
- ➔ Overload indicator (LED)
- ➔ Safety: VDE 0805/EN 60950/IEC 950
- ➔ Interference emission: EN 61000-6 -3/-4, (class B)
- ➔ Interference immunity: EN 61000-6 -1/-2
- ➔ PFC norm: EN 61000-3-2 class A (harmonics)

Specifications	10 A	20 A
Article no.:	750-0009*	753-2420
Input voltage:	3 x 380 - 500 V <sub>AC</sub> (480 - 770 V <sub>DC</sub> )	3 x 380 - 500 V <sub>AC</sub> (480 - 770 V <sub>DC</sub> )
Input voltage range:	3 x 340 - 550 V <sub>AC</sub>	3 x 340 - 550 V <sub>AC</sub>
Frequency:	47 - 63 Hz	47 - 63 Hz
Rated input current	3 x 0.7 A at 3 x 400 V <sub>AC</sub>	3 x 1.5 A at 3 x 400 V <sub>AC</sub>
Starting current inrush	< 50 A	< 40 A
Power factor:	0.60 capacitive/400 V <sub>AC</sub>	0.61 capacitive/400 V <sub>AC</sub>
Output voltage SELV	24 V <sub>DC</sub> ± 1%	24 V <sub>DC</sub> ± 1%
Setting range typ.:	23 - 30 V	23 - 29 V
Output current:	0 - 10 A <sub>DC</sub>	0 - 20 A <sub>DC</sub>
Output power:	240 W (max.)	480 W (max.)
Ripple:	< 50 mV	< 50 mV
Current limitation typ.:	12.5 A (permanently short circuit resistant)	22 A (permanently short circuit resistant)
Protection class:	I	I
Protection index:	IP 20	IP 20
Efficiency typ.:	89%	89%
Mains buffering:	> 5 ms / 3 x 400 V <sub>AC</sub>	> 5 ms / 3 x 400 V <sub>AC</sub>
Temperature range:	- 10 to 70 °C (free convection)	- 10 to 70 °C (free convection)
Leakage current:	< 3.5 mA (at 47 - 63 Hz)	< 3.5 mA (at 47 - 63 Hz)
Load control:	< 1% at 0 A to I <sub>nom</sub>	< 1% at 0 A to I <sub>nom</sub>
Mains regulation:	< 0.2% at U <sub>on</sub> ± 15%	< 0.2% at U <sub>on</sub> ± 15%
Dynamic response:	< 2 ms at 10 - 90% I <sub>nom</sub> Overshoot < 2%	< 2 ms at 10 - 90% I <sub>nom</sub> Overshoot < 2%
Overload resistant:	yes	yes
Stable at no load:	yes	yes
Output derating:	2.5% / K at + 60 °C	2.5% / K at + 60 °C
Storage temperature:	- 25 °C to + 85 °C	- 25 °C to + 85 °C
Mounting position:	wall-mounted, input terminals up	wall-mounted, input terminals up

### Overview

Type	Article no.	Line voltage V	Output voltage V (DC)	Rated current A (DC)	Total weight appr. kg	a	Dimensions b approx. mm	c
DGPT cosmo 2410	750-0009	3 x 400	24	10	1.4	81	160	153
DGPT cosmo 2420	753-2420	3 x 400	24	20	2.0	86	173	227

Copyright © 2002-2007 SBA

**SBA-TrafoTech GmbH**  
Winkelleite 14  
91332 Heiligenstadt, Germany  
Telephone +49 (0)9198/8 09-19  
Facsimile +49 (0)9198/8 09-30  
[sales@sba.de](mailto:sales@sba.de)

**SBA-Trafobau Jena GmbH**  
Ilmstraße 18  
07743 Jena, Germany  
Telephone +49 (0)3641/4514-0  
Facsimile +49 (0)3641/4514-30  
[info@sba.de](mailto:info@sba.de)

Internet: [www.sba.de](http://www.sba.de)