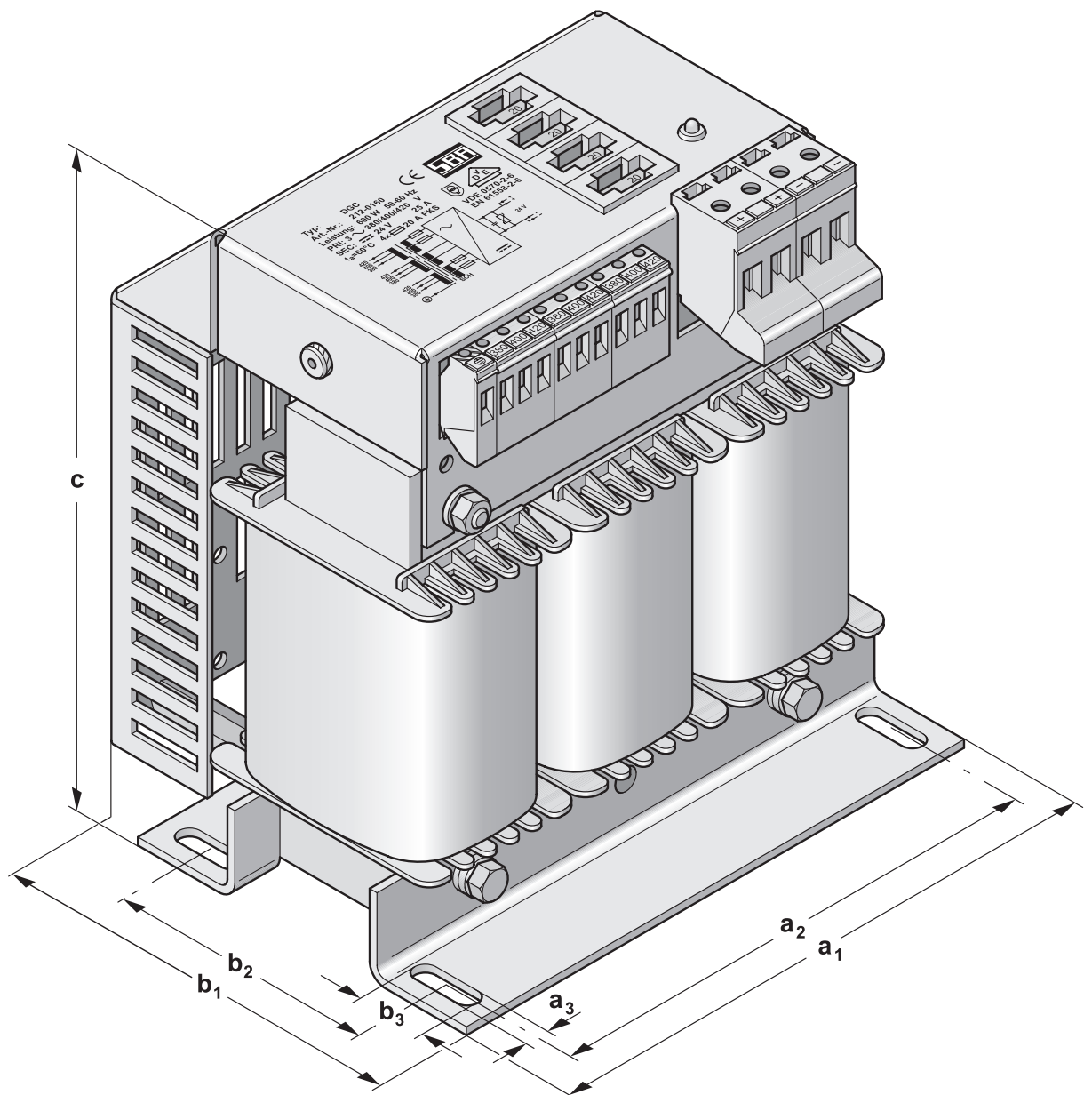


Type DGC

DC power supplies to VDE 0570-2-6/EN 61558-2-6

Application

For general application, e. g., for supplying control circuits in switchgear systems, distribution boards, machines, appliances, etc. with safety extra-low voltage (SELV). Suited in particular, as power supply of programmable logic controllers (PLC).



Copyright © 2002-2007 SBA



available ex stock

Recommended fuses see page 65

Accessories see pages 70 - 71



with VDE test label!



Construction

- ➔ Open construction (IP 00, incorporation up to max. IP 23)
- ➔ DC power supply to **VDE 0570-2-6/ EN 61558-2-6** with built-in safety isolating transformer
- ➔ Line-side variable tapping
- ➔ Resting on angular feet
- ➔ Connection to safe-to-touch screw clamping terminals with self-releasing clamp
- ➔ Output configuration: varistor, **screen capacitor (105 °C)**, radio interference suppression capacitor and discharge resistance
- ➔ **Output components covered safe-to-touch acc. to VDE 0106, part 100**
- ➔ High-grade, tropicalized vacuum impregnations in black polyester impregnating resin
- ➔ Performance data with circuit diagram printed on product
- ➔ Products are **overload and short circuit resistant** due to integrated fuse links
- ➔ **No additional fusing required if incorporated**
- ➔ Output voltage indicated by green LED

Specifications

Output range	240 W - 864 W
Input voltage	AC 3 x 380/400/420 V
Output voltage	SELV DC 24 V to EN 61131-2
Ripple factor (typ.)	max. 2 %
Frequency	50-60 Hz
Vector group	Yy0, with shielding winding
Protection class	I
Protection index	IP 00
Ambient temperature	max. 60 °C
Interference emission	EN 61000-6 -3/-4, (class B)
Interference immunity	EN 61000-6 -1/-2

Overview

Type	Article no.	Rated output current A	Fuse DIN 72581	No-load voltage V	Total weight appr. kg	Dimensions approx. mm						
						a ₁	b ₁	a ₂	b ₂	a ₃	b ₃	c
DGC 2410	209-0121	10	2 x 15A (FKS)	27.7	4.4	155	129	130	69	8	24	175
DGC 2415	211-0104	15	2 x 20A (FKS)	27.5	7.6	190	141	170	70	8	24	203
DGC 2425	212-0160	25	4 x 20A (FKS)	27.3	11.4	190	161	170	90	8	24	203
DGC 2436*	215-0123	36	4 x 25A (FKS)	27.3	15.8	280	158	260	71	10	18	245

The values in the table above are for the thermal steady state at 60 °C ambient temperature.

*with VDE test label

Copyright © 2002-2007 SBA

SBA-TrafoTech GmbH
Winkelleite 14
91332 Heiligenstadt, Germany
Telephone +49 (0)9198/8 09-19
Facsimile +49 (0)9198/8 09-30
sales@sba.de

SBA-Trafobau Jena GmbH
Ilmstraße 18
07743 Jena, Germany
Telephone +49 (0)3641/4514-0
Facsimile +49 (0)3641/4514-30
info@sba.de

Internet: www.sba.de